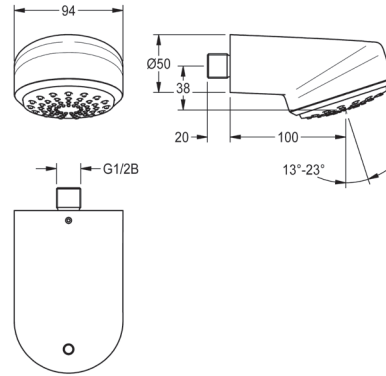


Shower head for wall connection



SHAC0013

Shower head for wall connection

AQUAJET-Comfort DN 15 shower head with plastic jet face continuously adjustable between 13–23°, anti-limescale system and low aerosol formation. For wall connector with insertable connecting nozzle, diameter 26 mm, high-polished chrome-plated brass housing, with integrated flow regulator 9.0 l/min, ready for installation of anti-twist protection.

Technical data

| | |
|-----------------------|-------------------|
| Diameter nominal | DN 15 |
| Adjustable tilt angle | Yes |
| Type | Shower head |
| Type of connection | Wall connection |
| Type of shower head | Spray shower head |