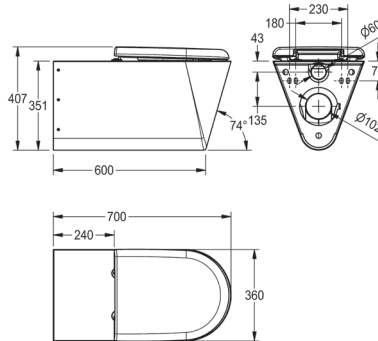


## Wall hung WC barrier free



### CMPX594BN

Wall hung WC barrier free

Wall hung WC pan for disabled, stainless steel, surface satin finished, material thickness 1.5mm, flushing certificated to EN 997, concealed flushing rim with min. 4 litre flushing capacity, with ashrouded 100mm diameter horizontal 'P' trap outlet, pressed seat area tapered towards centre, all edges curved, fixing with included mounting plate conform to EN 33, includes safety screws.

With black WC seat.  
Dimensions 360 x 407 x 700mm (W x H x D)

### Technical data

Inlet size	DN 55
Material	Stainless steel
Material code	1.4301 chrome nickel steel V2A
Material thickness	1.5mm
Minimum flushing capacity	4 litre
Outlet size	DN 100
Overall depth	700mm
Overall height	407mm
Overall width	360mm
Toilet seat cover	Black
Surface finish	Satin finished
Type of mounting	Wall mounting
Type of toilet seat	Synthetic hinged seat with lid
Type of WC	Wall hung