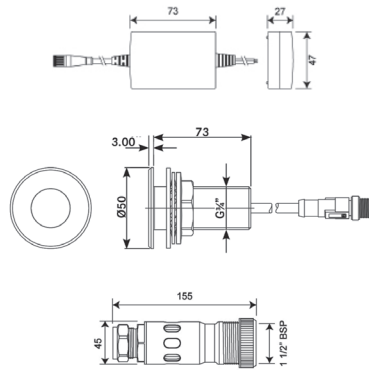


DELABIE | DVS

Direct flushing kit with programmable sensor



WC03-043

Direct flushing kit with programmable sensor

Direct flushing kit for use with WCs. Includes 6V ASCO valve, programmable WC sensor, acetal airbreak, PSU, M8 splitter and 3m extension.

Technical data - Programmable WC sensor

Material	316 stainless steel
Surface finish	Brushed
Weight	0.2kg
Operation type	A.I.R (Active infrared) touch-free
Type of mounting	Wall mounted (Ø28mm drill hole required)

Technical data - ASCO Solenoid valve

Material	ABS / brass
Voltage	6V DC
Power	6W
Orifice size	28mm
Pipe connection	1 ¼"
Pressure rating	0.35 - 6 bar
Operation	Latching

Technical data - PSU

Material	ABS
Surface finish	Matte black
Overall dimensions	73mm (l) 47mm (w) x 27mm (d)
Type of mounting	Pre-drilled fixing holes
Power input	100-240v / 50-60Hz 0.3A
Power output	6V / 2A

Direct flushing kit with programmable sensor

Adjustable settings

Flush type	Single
Flush time	2, 2.5, 3, 3.5, 4, 4.5, 5, 5.5, 6 & 6.5 seconds (default 4)
Sensor range	1 - 3 (default 2)
Anti vandal time	1, 2, 4 & 8 mins (default 1 minute)
Automatic purge	OFF, 3, 6, 12, 24, 36, 48 & 72 hours (default: OFF)
Purge run times	2, 3, 3.5, 4, 4.5, 5, 5.5, 6 & 6.5 seconds (default: (OFF)
Lockouts	OFF, 2 - 10 ops (default: OFF)

Included parts

Programmable WC Sensor	AC02-034
M8 Y Splitter	AT00-202
M8 3M Cable Extension	AT00-224
Air Break	WC00-098
6V ASCO Valve	AC17-015
PSU	AT00-029

Additional information

For Programmable WC Sensor menu settings, please see:	AC01-001 handheld programmer instructions
---	---