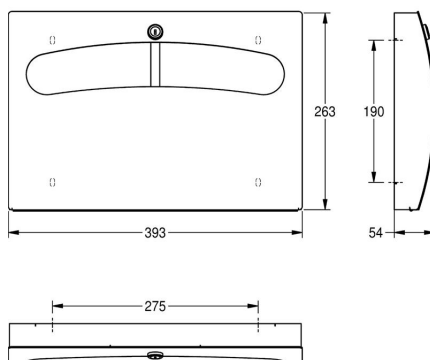


DELABIE | DVS

Toilet seat paper dispenser



STR680

Toilet seat paper dispenser

Toilet seat paper dispenser for wall mounting, stainless steel, surface satin finished, material thickness 1.5 mm, curved front cover with oval aperture, cylinder lock with KWC standard key, for DELABIE Seat paper or others, includes stainless steel screws and dowels.

Technical data

Filling quantity	200
Filling quantity uom	Pieces
Lock	Key-lock
Material	Stainless steel
Material code	1.4301 chrome nickel steel V2A
Material thickness	1.5mm
Overall depth	54mm
Overall width	393mm
Overall height	263mm
Surface finish	Satin finish
Type of consumable	Toilet seat paper
Type of fixing	Screw
Type of mounting	Wall mounting
Type of operation	Manual operation