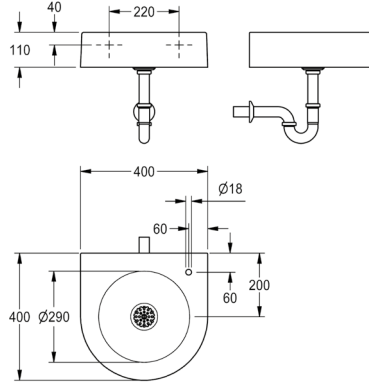


Wall mounted drinking fountain



SIRW24D

Wall mounted drinking fountain

Wall-mounted drinking fountain made of MIRANIT resin-bonded mineral material with pore-free smooth surface (temperature-resistant up to 80°C), Alpine white colour. With seamlessly moulded round bowl, without overflow, with tap hole 18mm (D) on the right. Mounted via back panel. Circumference of apron 110mm (H). With strainer waste G 1 1/4 B, siphon G 1 1/4 B, including mounting materials.

Technical data

Bowl - bowl height	80mm
Bowl depth	290mm
Bowl width	290mm
Drinking bubbler	Optional
Glass filler	Optional
Material	Mineral material
Material code	Miranit
Material thickness	1.2mm
Outlet size	DN 32
Overall depth	400mm
Overall height	110mm
Overall width	400mm
Surface finish	Coated
Type of mounting	Wall mounting
Waste hole position	Centre
Waste hole projection	200mm
Waste kit included	Yes
Waste size	DN 32