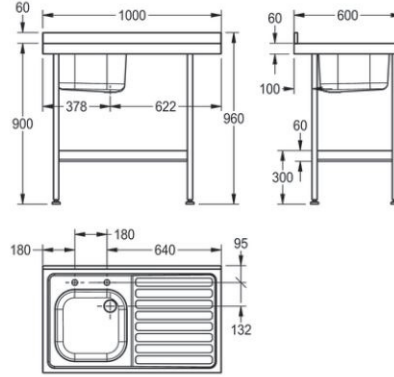


## Mini catering sink - single bowl



### E20601R

Mini catering sink

Mini catering sink 1000mm x 600mm with single bowl and right hand drainer. Manufactured from 1.2mm thick, grade 1.4301 (304) stainless steel, with a satin finish. Designed with an earthing lug fitted under the drainer. Stainless steel underframes and shelf (sold separately) are supplied in a flat pack form with easy to read assembly instructions.

Each leg is fitted with an adjustable foot (-20, +10mm) with a working height of 900mm. The sink is supplied with 38mm waste, plug, chain and overflow.

### Technical data

Bowl - bowl depth	250mm
Bowl finish	Satin finish
Bowl depth	400mm
Bowl width	400mm
Drainer position	Right
Drainer or storage	Drainer
Gross weight	10.8kg
Material	Stainless steel
Material code	1.4301 chrome nickel steel V2A
Material thickness	1.2mm
Overall depth	600mm
Overall height	900mm
Overall width	1,000mm
Rear upstand	Yes
Surface finish	Satin finish
Tap ledge	Yes
Type of mounting	Floor mounting
Waste hole position	Right back corner
Waste hole projection	222mm
Waste size	DN 40
Net weight	10.8kg