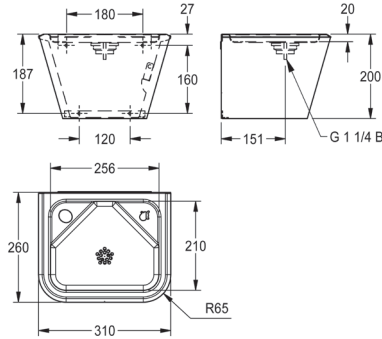


ANIMA Wall mounted drinking fountain



ANMX30U

Wall mounted drinking fountain

ANIMA wall-mounted drinking fountain, stainless steel, satin finished surface, material thickness 1.2mm, seamlessly integrated flat bowl without overflow, rectangular drinking fountain shape with rounded edges, two tap holes including cover, strainer waste G 1 1/4 B, including mounting material.

Drinking fountain tap and/or bottle filler tap sold separately.

Technical data

Bottle filler	Optional
Bowl - bowl height	20mm
Bowl - depth	256mm
Bowl - width	210mm
Chiller	No
Drinking bubbler	Optional
Material	Stainless steel
Material code	1.4301 chrome nickel steel V2A
Material thickness	1.2mm
Outlet size	DN 32
Overall depth	360mm
Overall height	215mm
Overall width	360mm
Surface finish	Satin finish
Type of mounting	Wall mounting
Waste hole position	Centre
Waste kit included	Yes
Waste size	DN 32