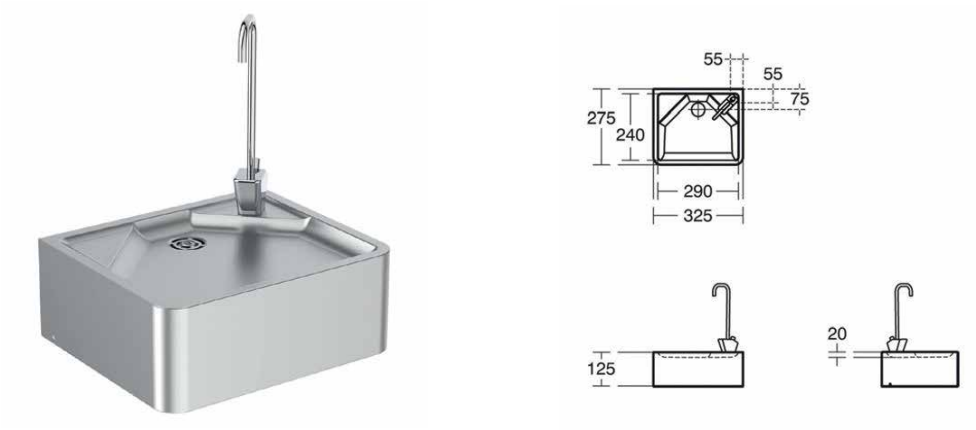


KWC

Wall-mounted bottle filler

ANMX100



ANMX100

Wall-mounted bottle filler

Wall-mounted drinking fountain manufactured from stainless steel with a brushed finish. Supplied complete with bottle filler.

Technical data

Material	Stainless steel
Temp. Operating Range	5 - 70 ° C
Flow Rate	4L/min (@ 3 bar)