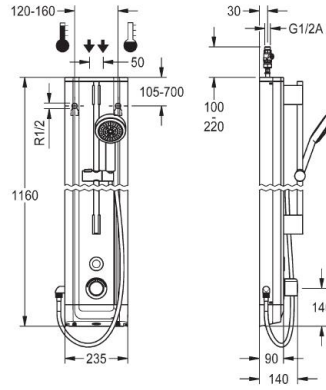


# DELABIE | DVS

## Stainless steel shower panel with hand shower fitting



### SH99-101

Stainless steel shower panel

F5E Therm shower panel made of stainless steel for wall mounting with thermostatic mixer and a hand shower fitting. Electrically controlled, for connection to hot water and cold water. Shower valve with integrated solenoid valve cartridge, thermostat and mechanism for optional bypass solenoid valve cartridge to perform program-controlled thermal disinfection. Thermostat with metal handle, an adjustable and turn-proof temperature stop and an option for manual thermal disinfection.

All-metal construction, visible parts high-polished or chrome-plated. Pre-fitted chrome-plated brass shower pole with height-adjustable hand shower holder and chrome-plated plastic hand shower, shower head with rain jet, diameter 110mm, shower hose 900mm. Housing made of stainless steel with raised function surface and plastic cover caps.

### Technical data

Default flow time	30 seconds
Adjustable flow time	Yes
Functional principle	Electronic self closing
Hygiene flushing	Yes
Diameter nominal	DN 15
Inlet size	G 1/2 A
Locking mechanism	Top section, non ceramic
Material casing	Stainless steel
Material code casing	1.4301 chrome nickel steel V2A
Material fitting	Brass
Maximum flow time	255 seconds
Minimum flow pressure	1 bar
Minimum flow time	1 second
Type of mixing	With thermostat
Overall depth	90mm
Overall height	1,160mm
Overall width	235mm
Position of power connection	From top / backside
Type of power supply	Other
Protective shutdown	Yes
Type of mounting	Wall mounting
Type of operation	Sensor operation
Type of shower	Shower panel
Thermal disinfection	Yes
Surface treatment fitting	Polished
Water connection	Hose (gland nut)