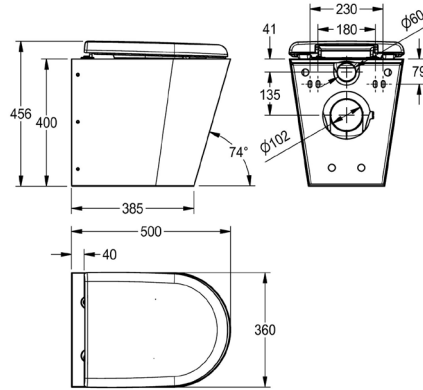


## Floor standing WC pan



### CMPX597WN

Floor standing WC pan

Wall hung WC pan with shroud to the floor, stainless steel, surface satin finished, material thickness 1.5 mm, flushing certificated to EN997, concealed flushing rim with min. 4 litre flushing capacity, with a shrouded 100mm diameter horizontal 'P' trap outlet, pressed seat area tapered towards centre, all edges curved, fixing with included mounting plate conform to EN 33, includes safety screws. 4 litre flush EN 997 approved.

#### Technical data

Inlet size	DN 55
Material	Stainless steel
Material code	1.4301 stainless steel
Material thickness	1.5mm
Minimum flushing capacity	4 litre
Outlet size	DN 100
Overall depth	500mm
Overall height	456mm
Overall width	360mm
Toilet seat colour	White
Surface finish	Satin finished
Type of mounting	Wall mounted
Type of toilet seat	Synthetic seat with lid
Type of WC	Floor standing

With white WC-seat  
Dimensions 360 x 456 x 500 mm (W x H x D)