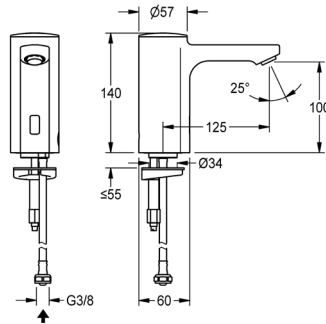


KWC

F5E Mix electronic pre-mixed pillar tap - battery



F5EV1001

Mix electronic pre-mixed pillar tap - battery

F5E-Mix electronic pre-mixed pillar tap. For connection to pre-mixed hot or cold water via hose and strainer. Control electronics, solenoid valve cartridge, 6 V lithium battery (CR-P2) and sensor in all-metal housing, high-polished chromium-plated brass. Anti-theft aerator, design SLIM, with integrated flow regulator 5.0 l/min. Activated water hygiene flushing 24 hours after last activation, safety switch-off with continuous reflection and saving of statistical data.

If you require additional functionality, such as sensor range adjustment and tap run time, a bi-directional remote is available as an extra. Supplied with 6V lithium battery and sensor. Flow rate at 3 bar: 5.0 l/min. Dimensions: 57 X 140mm (W x H)

Technical data

With backflow preventer	No
Calculation flow rate cold water	0.1l/s
Compatible A3000 open	No
Default automatic hygiene flush	24hr after the last activity
Depressurised	No
With filter	Yes
Functional principle	Electronic self-closing
Hygiene flushing	Yes
Diameter nominal	DN 15
Inlet size	G 3/8
Locking mechanism	Top section, non-ceramic
Material fitting	Brass
Minimum flow pressure	1 bar
Type of mixing	No
Number of batteries	1
Programmable	Yes (via handheld programme)
Pop-up waste set	No
Power supply connection	6V battery
Type of power supply	Battery
Protective system	IP59K
With rosettes / cover plate	No
Protective shutdown	Yes
Sound insulation	Polished
Spout	Fixed
Spout projection	125mm
Surface finish fitting	Chromium-plated brass
Surface treatment fitting	Polished
Temperature limit	No

KWC

F3S Self-closing pillar tap

Technical data

Thermal disinfection	No
With transformer / power supply	No
Type of batteries	CR-P2 Lithium battery 6V
Type of mounting	Tap hole
Type of operation	Sensor operation
Type of sensor	Opto-electronic sensor
Type of tap	Pillar tap
Volume flow rate at 3 bar	0.08l/s
Water connection	Hose (gland nut)
Accent colour	None
Basic colour	Chrome - glossy

Mandatory accessories



Mandatory accessories

AC17-047

Thermostatic mixing valve

Complimentary accessories



Complimentary accessories

SD01-003

Pillar soap dispenser (chrome)

Complimentary accessories

AC01-001

Handheld programmer