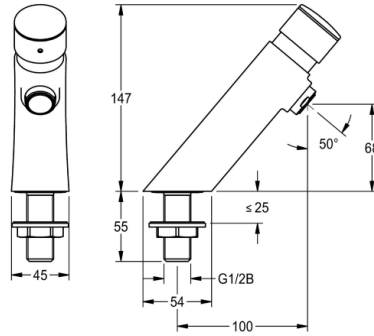


F3S Self-closing pillar tap



F3SV1004

Self-closing pillar tap

F3S self-closing DN 15 pillartap for sanitary facilities. Self-closing cartridge, hydraulically controlled, self-closing, stepless adjustment of flow duration. With anti-blocking system 2 (ABS2) for safety switch-off when permanently active. For connection to pre-mixed hot water or cold water. High-polished, chrome-plated brass housing. Aerator with an integrated flow rate controller 3.0 l/min.

Technical data

With backflow preventer	No
Depressurised	No
With filter	No
Adjustable flow time	Yes
Functional principle	Hydraulic self-closing
Hygiene flushing	No
Diameter nominal	DN 15
Locking mechanism	Top section, non-ceramic
Material fitting	Brass
Type of mixing	No
Pop-up wate set	No
With rosettes / cover plate	No
Protective shutdown	Yes
Spout	Fixed
Surface finish fitting	Chromium-plated brass
Surface treatment fitting	Polished
Temperature limit	No
Thermal disinfection	No
Type of mounting	Tap hole
Type of operation	Manual operation
Type of tap	Pillar tap
Water connection	Threaded connection (external)
Accent colour	None
Basic colour	Chrome (glossy)

F3S Self-closing pillar tap

Mandatory accessories



Mandatory accessories

AC17-047

Thermostatic mixing valve

Complimentary accessories



Complimentary accessories

SD110

Wall mounted soap dispenser
