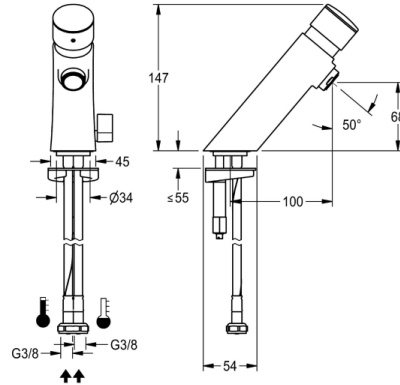


F3S - Mix self-closing pillar mixer



F3SM1008

F3S - Mix self-closing pillar mixer

F3S-Mix self-closing DN 15 pillar mixer for sanitary facilities. Self-closing cartridge, hydraulically controlled, self-closing, stepless adjustment of flow duration. With anti-blocking system 2 (ABS2) for safety switch-off when permanently active. For connection to hot and cold water via hoses with integrated non-return valves and strainers. Temperature lever with an adjustable turn-proof temperature stop. High-polished, chromium-plated brass housing.

Technical data

With backflow preventer	Yes
Depressurised	No
With filter	Yes
Functional principle	Hydraulic self-closing
Hygiene flushing	No
Diameter nominal	DN 15
Inlet size	G 3/8
Locking mechanism	Top section, non-ceramic
Material fitting	Chromium-plated brass
Type of fixing	Yes
Pop-up waste set	No
With rosettes / cover plate	No
Protective shutdown	Yes
Spout	Fixed
Spout projection	100mm
Surface finish fitting	Chrome
Surface treatment fitting	Polished
Temperature limit	Yes
Type of mounting	Tap hole
Type of operation	Manual operation
Type of tap	Pillar tap
Water connection	Hose (gland nut)
Accent colour	None
Basic colour	Chrome - glossy

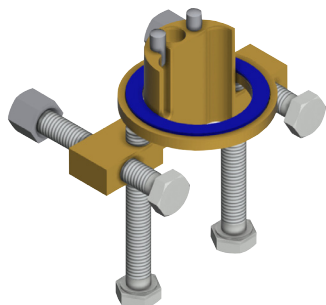
F3S - Mix self-closing pillar mixer

Optional accessories



Optional accessories

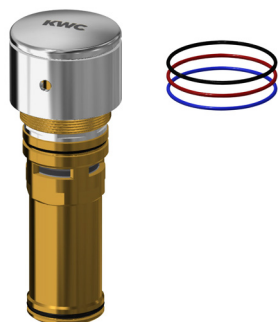
PURE0031
Under-table thermostat



Optional accessories

ACXX1001
Anti-twist protection for F3S

Spare accessories



Spare accessories

ASSV1005
Functional part



Spare accessories

ASXX1008
3.0 l/min. aerator