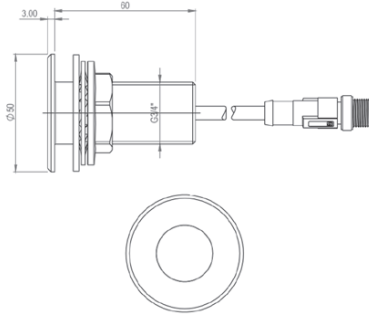


KWC

KINGSWEAR Stainless steel programmable shower sensor

Model line: KINGSWEAR | **AT10-033**



AT10-033

Stainless steel programmable shower sensor

Wall Mounted Programmable Sensor is to be used in conjunction with the handheld programmer (AC01-001). The programmer will allow quick and easy adjustment of settings including; run-on time, range, purge and more. Real time data can be uploaded from the programmer via the USB port to allow accurate monitoring of water efficiency.

Station kit required
External TMV3 required
Dimensions: 50 x 50 x 60mm

Technical data

Material	316 Stainless steel
Surface finish	Black brushed
Gross weight	0.2kg
Operation type	A.I.R (Active infrared) touch-free
Type of mounting	Wall mounted (Ø27mm drill hole required)
Adjustable settings	
Run-time	30 Seconds, 1, 2, 3, 4 & 5 Minutes (Default 1 Minute)
Sensor range	1-3 (default 2)
Wave-on / wave-off operation	ON/ OFF (default OFF)
Anti-vandal time	Run +10s
Automatic purge	ON/OFF, 3, 6, 12, 24, 36, 48 Hours (Default OFF)
Purge run-time	30 secs, 1, 2, 4 & 8 mins (Default 1 Minute)
Lock outs	OFF, 4, 6, 8 & 10 ops (Default OFF)