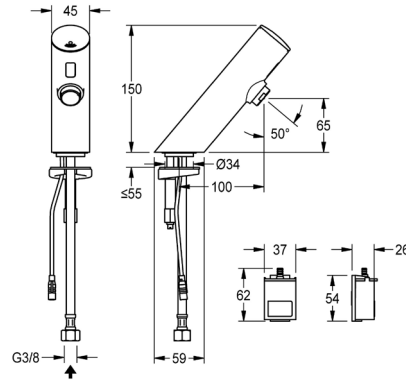


### F3E Electronic pillar tap with battery compartment



#### F3EV1001

Electronic pillar tap with battery compartment

F3E pillar tap DN 15 for sanitary facilities, opto-electronically controlled. For connection to pre-mixed hot or cold water via hose and strainer. Control electronics, solenoid valve cartridge and sensor in all-metal housing, high-polished chromium-plated brass. Aerator with integrated flow regulator 6.0l/min. Activated water hygiene flushing 24 hours after last activation, safety switch-off with continuous reflection and saving of statistical data.

With option for parameterization and communication via optional, bidirectional remote control. With battery compartment including 6 V lithium battery (CR-P2) for installation under the washbasin.

#### Technical data

|                                  |                               |
|----------------------------------|-------------------------------|
| With backflow preventer          | No                            |
| Calculation flow rate cold water | 0.1l/s                        |
| Compatible A3000 open            | No                            |
| Default automatic hygiene flush  | 24h after the last activity   |
| Depressurised                    | No                            |
| With filter                      | Yes                           |
| Functional principle             | Electronic self-closing       |
| Hygiene flushing                 | Yes                           |
| Diameter nominal                 | DN 15                         |
| Inlet size                       | G 3/8                         |
| Locking mechanism                | Top section, non ceramic      |
| Material fitting                 | Brass                         |
| Minimum flow pressure            | 1 bar                         |
| Type of mixing                   | No                            |
| Number of batteries              | 1                             |
| Programmable                     | Yes (via handheld programmer) |
| Pop-up waste set                 | No                            |
| Power supply connection          | Battery 6V                    |
| Position of power connection     | From bottom                   |
| Type of power supply             | Battery                       |
| With rosettes / cover plate      | No                            |
| Protective shutdown              | Yes                           |
| Sound insulation                 | No                            |
| Spout                            | Fixed                         |
| Spout projection                 | 100mm                         |
| Surface finish fitting           | Chromium-plated brass         |
| Surface treatment fitting        | Polished                      |
| Tailor made                      | No                            |

## KWC

### F3E Electronic pillar tap with battery compartment

#### Technical data

|                                 |                         |
|---------------------------------|-------------------------|
| Temperature limit               | No                      |
| Thermal disinfection            | No                      |
| With transformer / power supply | No                      |
| Type of batteries               | CR-P2 Lithium batter 6V |
| Type of mounting                | Tap hole                |
| Type of operation               | Sensor operation        |
| Type of sensor                  | Opto-electronic sensor  |
| Type of tap                     | Pillar tap              |
| Volume flow rate at 3 bar       | 0.1l/s                  |
| Water connection                | Hose (gland nut)        |
| Accent colour                   | None                    |
| Basic colour                    | Chrome-look (glossy)    |

#### Mandatory accessories

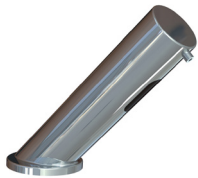


#### Mandatory accessories

##### AC17-047

Thermostatic mixing valve

#### Complimentary accessories



#### Complimentary accessories

##### SD01-013

A45 soap dispenser (chrome)



#### Complimentary accessories

##### AC01-001

Handheld programmer