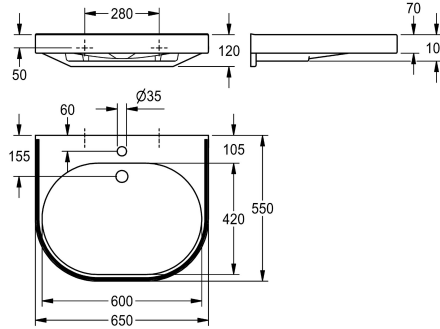


## KWC

### VARIUScare single washbasin, barrier-free

#### Modell-Linie: VARIUSCARE | ANMW500

Washbasins & Washtroughs | Wash basins



#### KWC-No.

##### ANMW500-RED

Dimensions 650 x 120 x 550 mm (W x H x D) Recess dimensions 600 x 80 x 420 mm (W x H x D)

#### overall depth

550. mm

#### overall width

650. mm

VARIUScare single wash basin made of MIRANIT resin-bonded mineral material. Colour Alpine white with colour strip (RAL 7022). Wheelchair accessible, with integrated gripping edge. Seamless moulded bowl, without overflow. With tap hole. Mounting on washbasin back panel. Rear contoured edge. Mounting material

included.

Dimensions 650 x 120 x 550 mm (W x H x D)  
Bowl dimensions 600 x 80 x 420 mm (W x H x D)

#### Technical Data

barrier-free

yes

type of basin

Wash basin

bowl position

center

bowl - bowl height

80. mm

bowl - depth

420. mm

bowl - width

600. mm

colour

alpinewhite

material

mineral material

material code

Miranit

overall depth

550. mm

overall height

120. mm

overall width

650. mm

overflow

no

rear upstand

yes

siphon diameter

DN 32

siphon included

no

splash back

no

tailor made

no

number of tap holes

1

## KWC

### VARIUScare single washbasin, barrier-free

#### Modell-Linie: VARIUSCARE | ANMW500

Washbasins & Washtroughs | Wash basins

tap hole diameter	35. mm
tap hole position	middle
tap ledge	yes
type of mounting	wall mounting
waste hole position	centre back
waste sleeve included	no
Colour strip	Umbra grey