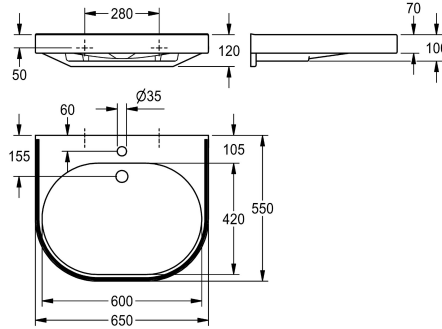


## KWC

### VARIUScare single washbasin, barrier-free

#### Modell-Linie: VARIUSCARE | ANMW500

Washbasins & Washtroughs | Wash basins



#### KWC-No.

##### ANMW500-BLUE

Dimensions 650 x 120 x 550 mm (W x H x D) Recess dimensions 600 x 80 x 420 mm (W x H x D)

#### overall depth

550. mm

#### overall width

650. mm

VARIUScare single wash basin made of MIRANIT resin-bonded mineral material. Colour Alpine white with colour strip (RAL 7022). Wheelchair accessible, with integrated gripping edge. Seamless moulded bowl, without overflow. With tap hole. Mounting on washbasin back panel. Rear contoured edge. Mounting material

included.

Dimensions 650 x 120 x 550 mm (W x H x D)  
Bowl dimensions 600 x 80 x 420 mm (W x H x D)

#### Technical Data

barrier-free	yes
type of basin	Wash basin
bowl position	center
bowl - bowl height	80. mm
bowl - depth	420. mm
bowl - width	600. mm
colour	alpinewhite
material	mineral material
material code	Miranit
overall depth	550. mm
overall height	120. mm
overall width	650. mm
overflow	no
rear upstand	yes
siphon diameter	DN 32
siphon included	no
splash back	no
tailor made	no
number of tap holes	1

## KWC

### VARIUScare single washbasin, barrier-free

#### Modell-Linie: VARIUSCARE | ANMW500

Washbasins & Washtroughs | Wash basins

tap hole diameter	35. mm
tap hole position	middle
tap ledge	yes
type of mounting	wall mounting
waste hole position	centre back
waste sleeve included	no
Colour strip	Umbra grey