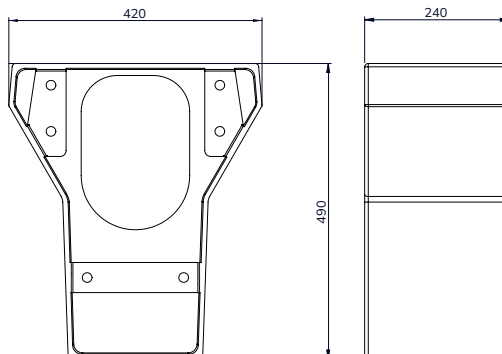


SAFE ENSUITE True form less-abled WC pan GRP spacer box

Model line: SAFE ENSUITE | **VR01-119**
Safe Ensuite | WC spacer box



VR01-119

GRP less-abled WC spacer box

GRP less-abled WC spacer box for "against wall" installations. Manufactured from Glass reinforced polyester with a white high gloss gelcoat finish. Designed with wheelchair access in mind, providing ease of use. Optional extra for use with all KWC DVS less-abled height back to wall WC pans. Overall dimensions: 420 x 490 x 240 (w x h x d).

Technical data

Material	High performance composite material (GRP)
Gross weight	13.95kg
Overall dimensions	420 x 490 x 240 (w x h x d)
Type of mounting	Against wall
Surface finish	High gloss gelcoat
Suitable for use with	Less-abled WCs