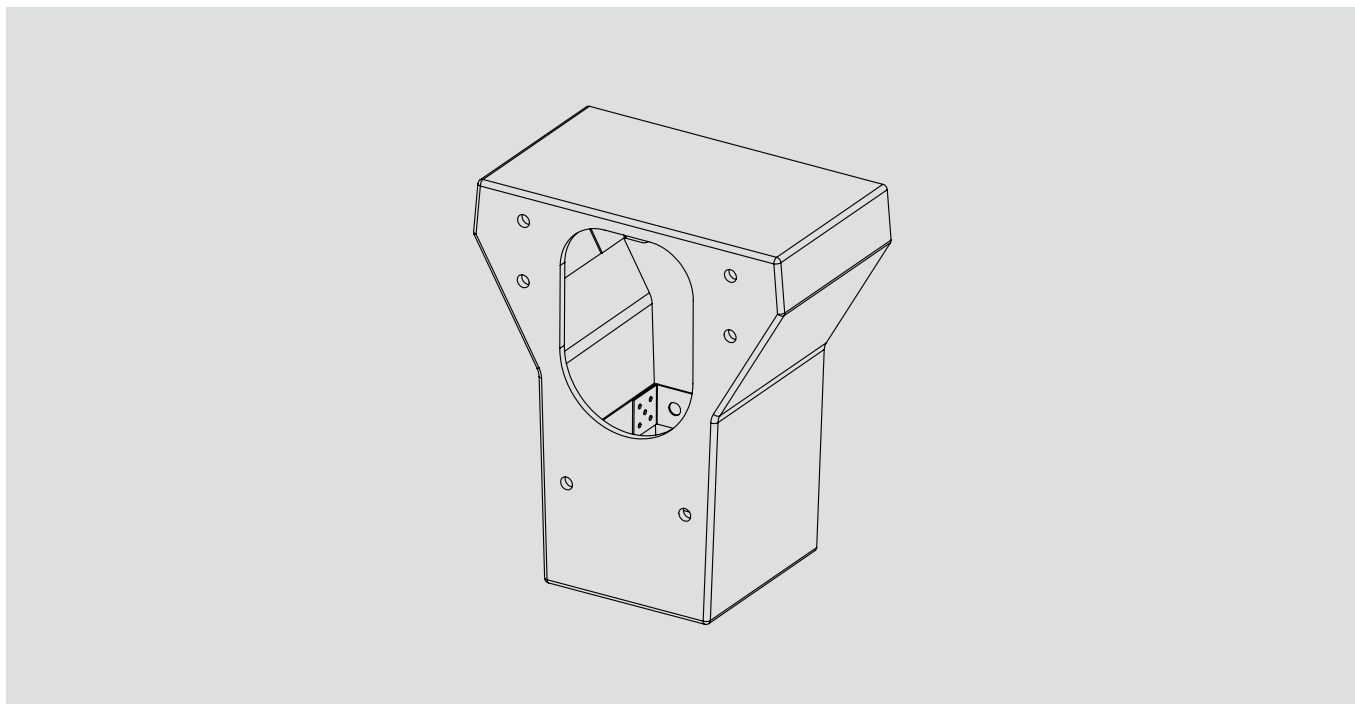
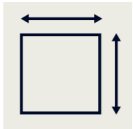
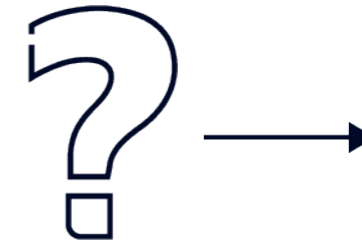
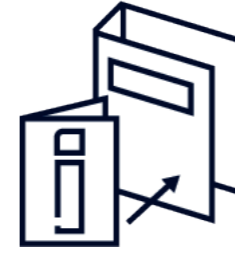
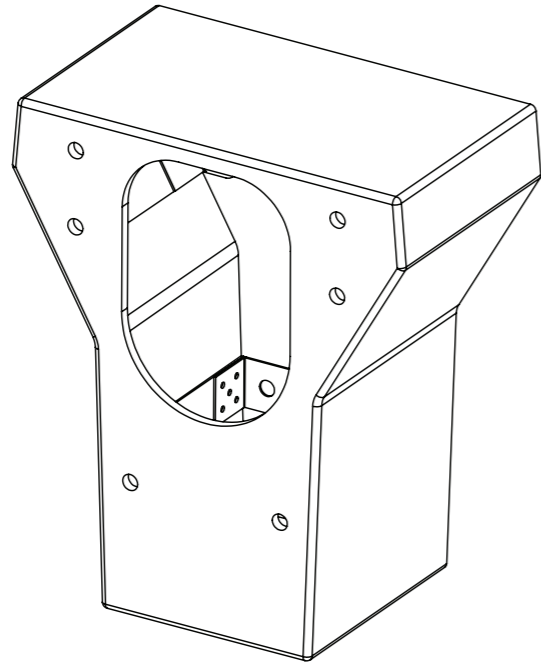


DVS

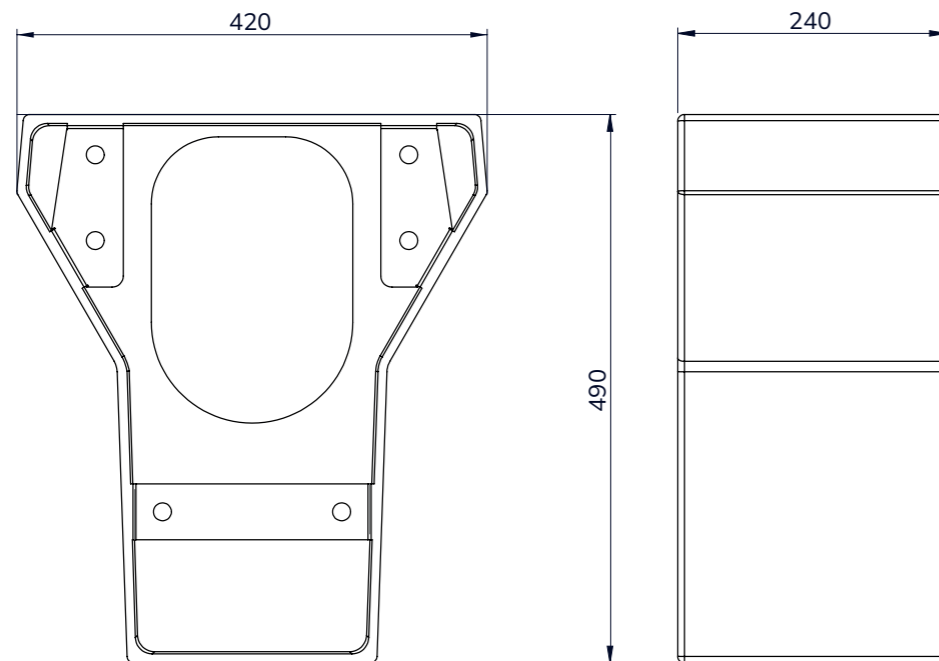


VR01-119

DE	Montage- und Betriebsanleitung	WC-Distanzbox
EN	Installation and operating instructions	WC spacer box
FR	Notice de montage et de mise en service	Boîte d'espacement WC
ES	Instrucciones de montaje y servicio	caja separadora WC
IT	Istruzioni per il montaggio e l'uso	Scatola distanziale WC
NL	Montage- en bedrijfsinstructies	WC afstandsdoo
PL	Instrukcja montażu i obsługi	Pudełko dystansowe do WC
SV	Monterings- och driftinstruktion	WC distanslåda
CS	Návod pro montáž a provoz	WC distanční box
FI	Asennus- ja käyttöohje	WC välilaatikko
RU	Инструкции по установке и эксплуатации	Распорная короба для унитаза



VR01-119



1. Installation

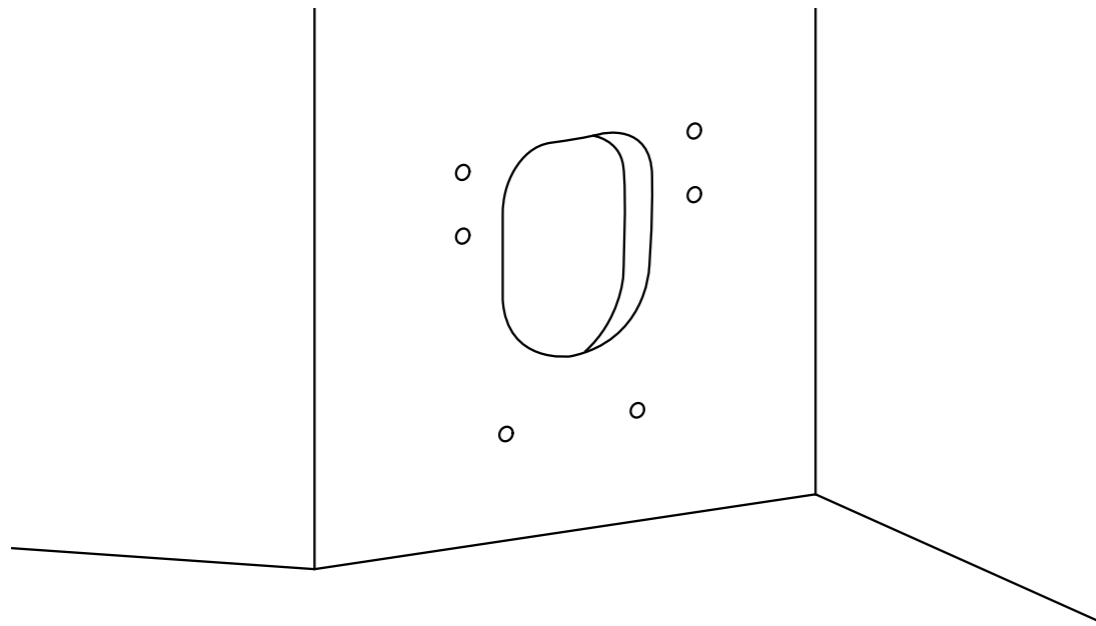
EN Installation
FR Montage
ES Montaje
IT Montaggio

NL Montage
PL Montaż
SV Montering

CS Montáž
FI Asennus
RU Монтаж

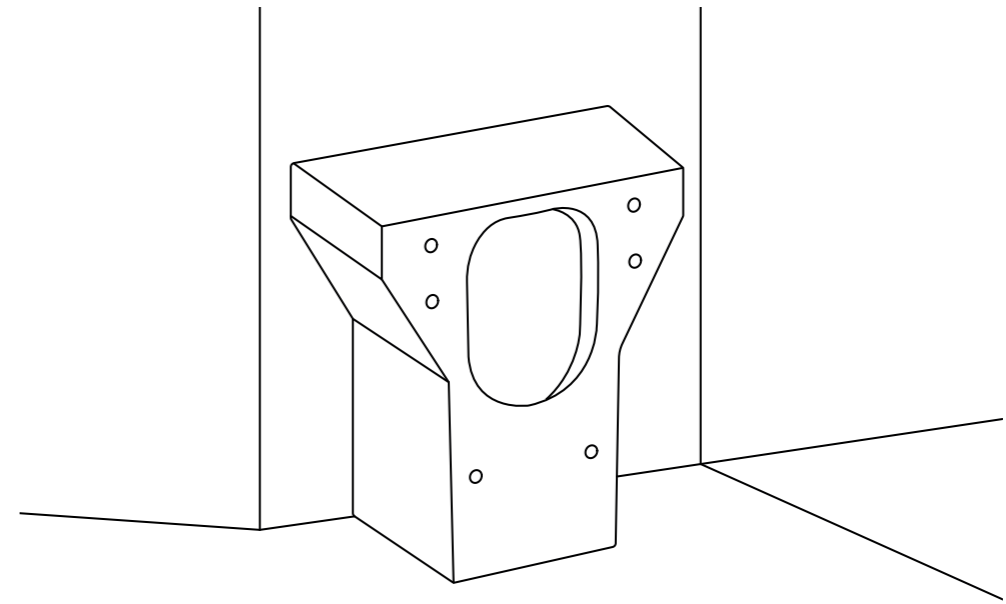


1



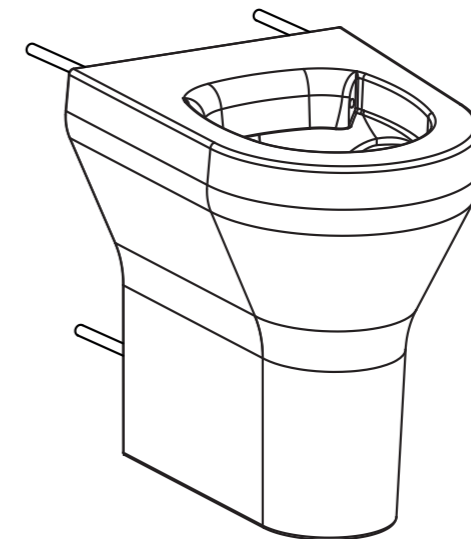
Using the drilling template for the Disabled Height WC Pan (PP00-376), mark and drill holes for the inlet, waste and fixing studding.

2



Place the spacer box against the wall ensuring the holes for the fixing studs align with those in the wall.

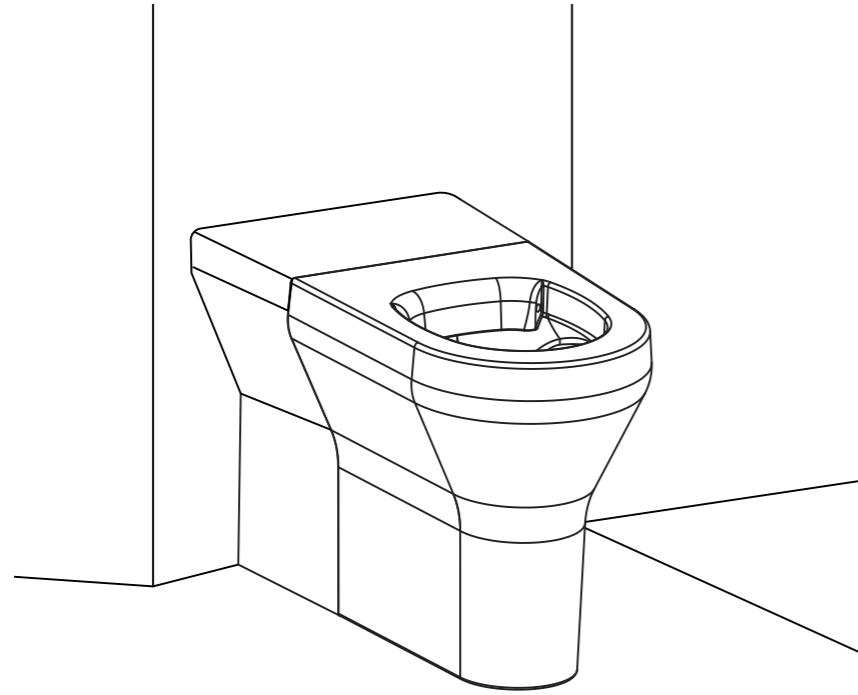
3



Screw the M12 studding into the back of the pan as far as possible. Ensure a flush pipe cone and outlet connector are fitted in the back of the pan. Align the pan with fixing holes.

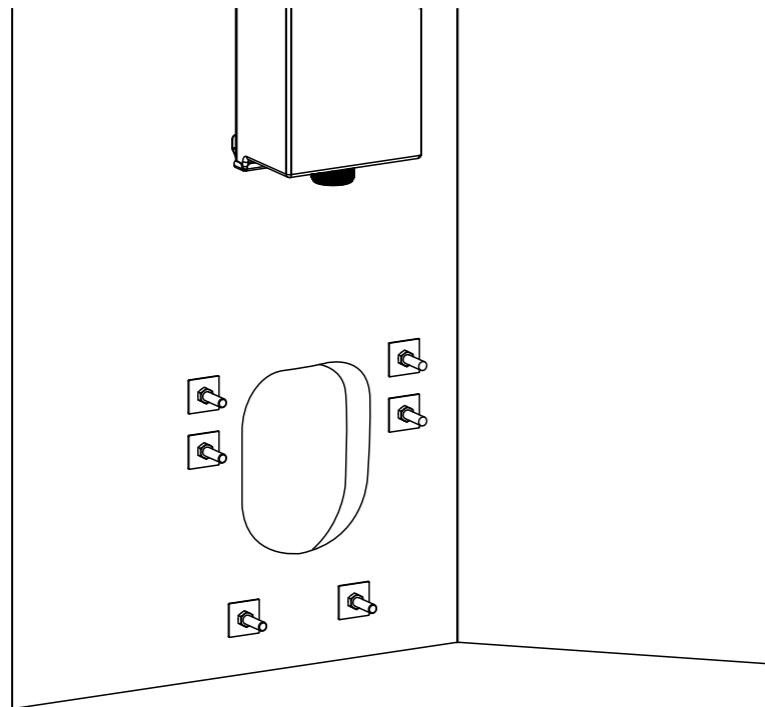
Please note - Standard studding supplied with the wc pan is not suitable for use with the wc pan spacer box. Suitable length studding will need to be sourced separately.

4



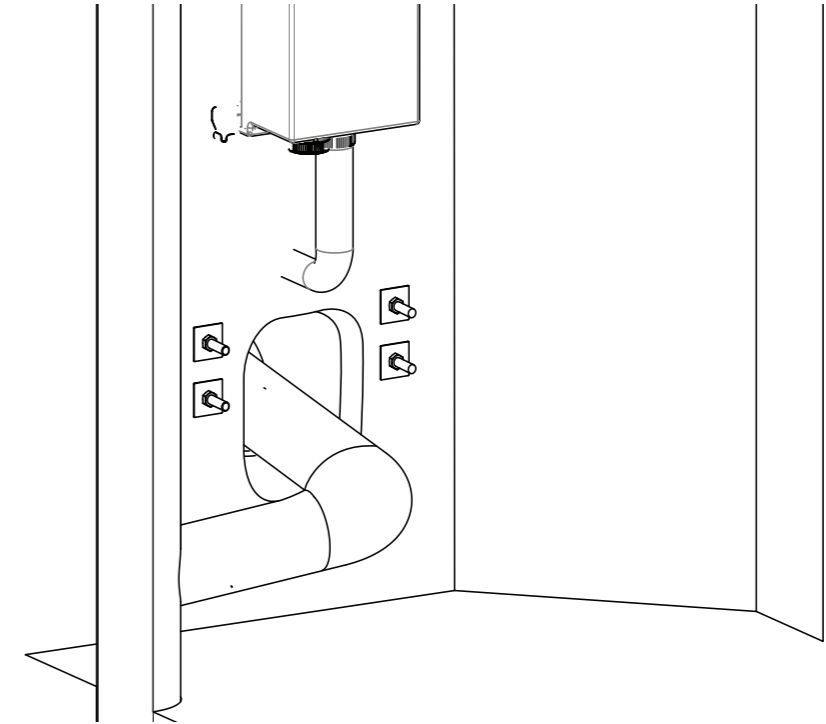
Place the pan against the spacer box ensuring the fixing studs align with the fixing holes and protrude through into the service duct. *When installation is complete, depending on the local site requirements, anti-pick or silicone sealant can be used around the edges of the pan and spacer box for finishing off.*

5



Secure the pan to the wall using the nuts and washers supplied with the wc pan - tighten using a torque wrench to 22-24 Nm.

6



Connections to the WC flush pipe and soil pipes are conventional.

Australia

PR Kitchen and
Water Systems Pty Ltd
Dandenong South VIC 3175
Phone +61 3 9700 9100

Austria

KWC Austria GmbH
6971 Hard, Austria
Phone +43 5574 6735 0

**Belgium, Netherlands &
Luxembourg**

KWC Aquarotter GmbH
9320 Aalst, Belgium
Phone +31 (0) 492 728 224

Czech Republic

KWC Aquarotter GmbH
14974 Ludwigsfelde, Germany
Phone +49 3378 818 309

France

KWC Austria GmbH
6971 Hard, Austria
Phone +33 800 909 216

Germany

KWC Aquarotter GmbH
14974 Ludwigsfelde
Phone +49 3378 818 0

Italy

KWC Austria GmbH
6971 Hard, Austria
Numero Verde +39 800 789 233

Middle East

KWC ME LLC Ras Al Khaimah,
United Arab Emirates
Phone +971 7 2034 700

Poland

KWC Aquarotter GmbH
14974 Ludwigsfelde, Germany
Phone +48 58 35 19 700

Spain

KWC Austria GmbH
6971 Hard, Austria
Phone +43 5574 6735 211

Switzerland & Liechtenstein

KWC Group AG
5726 Unterkulm, Switzerland
Phone +41 62 768 69 00

Turkey

KWC ME LLC Ras Al Khaimah,
United Arab Emirates
Phone +971 7 2034 700

United Kingdom

KWC DVS Ltd - Northern Office
Barlborough S43 4PZ
Phone +44 1246 450 255

KWC DVS Ltd - Southern Office
Paignton TQ4 7TW
Phone +44 1803 529 021

EAST EUROPE

Bosnia Herzegovina
Bulgaria | Croatia
Hungary | Latvia
Lithuania | Romania
Russia | Serbia | Slovakia
Slovenia | Ukraine

KWC Aquarotter GmbH
14974 Ludwigsfelde, Germany
Phone +49 3378 818 261

SCANDINAVIA & ESTONIA

Finland | Sweden | Norway
Denmark | Estonia

KWC Nordics Oy
76850 Naarajärvi, Finland
Phone +358 15 34 111

OTHER COUNTRIES

KWC Austria GmbH
6971 Hard, Austria
Phone +43 5574 6735 0

