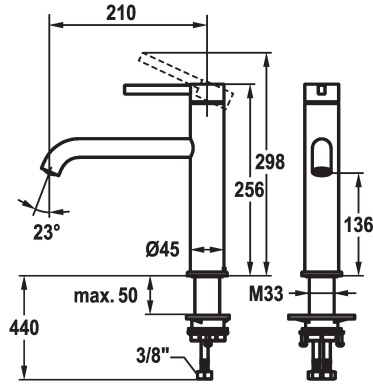


KWC BEVO E Lever mixer - Kitchen

Modell-Linie: **BEVO E | 10.531.022.700FL ++**
Taps | Manual taps



KWC-No.

10.531.022.700FL
stainless steel, A 215, flexible connection hoses

10.531.022.751FL
industrial black, A 215, flexible connection hoses

- Swivel spout 150°
 - Neoperl® Caché® laminar
 - KWC cartridge M 35 S
 - with ceramic discs
 - flow rate and temperature continuously variable
 - Flexible connection hoses 3/8"
 - QuickInstallation - Fastening via threaded connection with locking screws
 - Mounting hole size $\varnothing 35$ mm
- Flow rate 12 l/min (3 bar)
Acoustic group I

NEW

