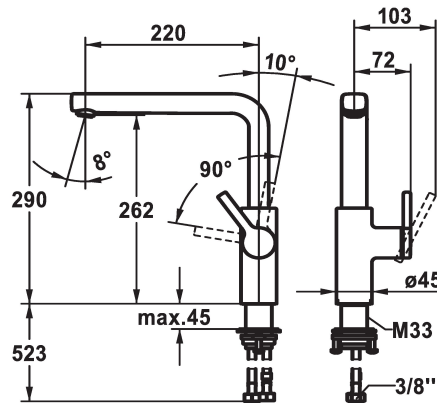


KWC AVA 2.0 Lever mixer - Kitchen

Modell-Linie: AVA 2.0 | 10.461.012.000FL ++
Taps | Manual taps



KWC-No.

10.461.012.000FL

all chrome, A 220, flexible connection hoses

10.461.012.176FL

matt black, A 220, flexible connection hoses

10.461.012.177FL

brushed steel, A 220, flexible connection hoses

- Lever installation only possible on the right side
 - Child safety: cold water flow in lever position towards the front
 - gap between wall and centre of mounting hole min. 20 mm
 - SwivelStop - swivel spout 150°, extensible to 360°
 - Neoperl® Cascade® SLC
 - OptimalSpace - ample space for washing or working
 - KWC cartridge M 35 S
 - with ceramic discs
 - flow rate and temperature continuously variable
 - temperature limitation
 - Flexible connection hoses 3/8"
 - QuickInstallation - Fastening via threaded connection with locking screws
 - Mounting hole size 45 mm
 - To be ordered separately (optional or if necessary):
 - Swivel range limited to 120° Z.538.320
- Acoustic group I
Spray outlet: Flow rate 12 l/min (3 bar)

NEW

