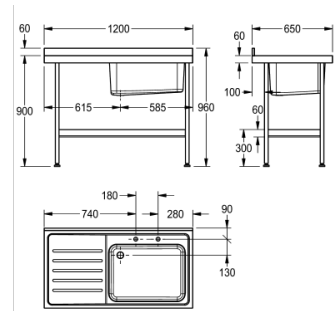


CATERING SINK: E20610L

E20610L | 2000100111

ARTICLE GROUP : E20610 ++ | ARTICLE FAMILY : Catering sinks | PRODUCT GROUP : Catering



E20610L - Single bowl, LH single drainer. Midi sinks are manufactured from 1.2mm thick austenitic grade stainless steel polished to a satin finish. All sinks have two tapholes behind each bowl drilled at 180mm centres. Single bowl sinks are suitable for either 13mm pillar taps or mixer taps whereas the double bowl sinks are only suitable for pillar taps. Bowls are all supplied with 38mm waste and standpipe strainer overflow. An earthing lug is fitted under the drainer.

Stainless steel underframes complete with shelf are to be ordered as an extra part and are supplied in a flat pack form with easy to read assembly instructions. Each leg is fitted with an adjustable foot (-20, +10mm) with a working height of 900mm.

TECHNICAL DATA

Bowl height	300.00 mm
Bowl finish	DESCALED
Bowl width	609.00 mm
Bowl depth	455.00 mm
Drainer position	LEFT
Drainer or storage	DRAINER
Gross weight	16.60 kg
Material	STAINLESS-STEEL
Material code	1.4301 Chrome Nickel steel V2A
Material thickness	1.20 mm
Overall depth	650.00 mm
Overall height	900.00 mm
Overall width	1,200.00 mm
Rear upstand	Yes
Surface finish	Satin finish
Tap ledge	yes
Type of mounting	FLOOR-MOUNTING
Waste hole position	Left back corner
Waste hole projection	220.00 mm
Waste size	DN 40
Net weight	16.20 kg
Product code	214.0000.036

CATERING SINK: E20610L

E20610L | 2000100111

ARTICLE GROUP : **E20610 ++** | ARTICLE FAMILY : **Catering sinks** | PRODUCT GROUP : **Catering**

ACCESSORY



UNDERFRAME

2000100525
