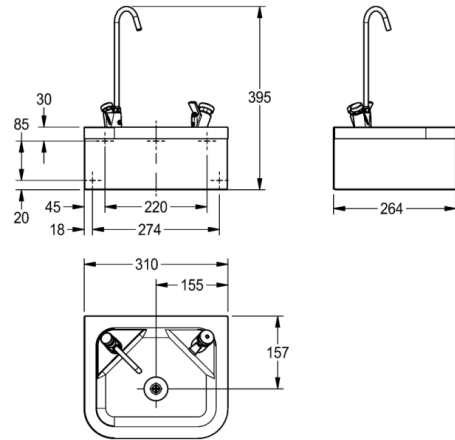


# G20 109N Drinking Fountain

MODEL RANGE: DRINKING-FOUNTAINS | G20109N | 213.0000.013

Water dispensers | Drinking fountains



Centinel wall hung drinking fountain with bottle filler.

Dimension 310 x 264 x 135 mm

Technical data	
Overall depth	264.00 mm
Overall height	135.00 mm
Overall width	310.00 mm
Material	Stainless steel
Material code	1.4301 Chrome Nickel steel V2A
Waste hole position	Center
Surface finish	Satin finished
Waste kit included	Yes
Waste size	DN 20
FUN Number	213.0000.013