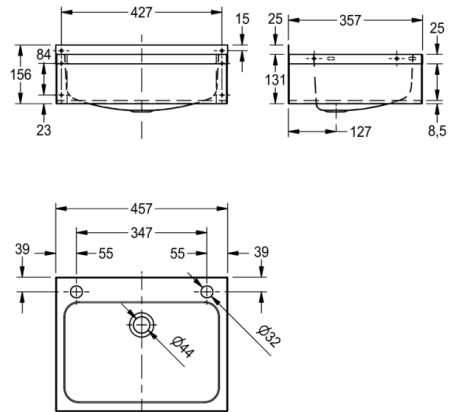


# D20163N Model WB18 Washbasin

MODEL RANGE: TUBS-BASINS | D20163N | 203.0000.057

Wash basins & Washtroughs | Wash basins



Washbasin top manufactured from 0.9mm thick grade 1.4301 (304) stainless steel - satin polish finish. Prepared for 32mm waste outlet and overflow. Supplied with two tapholes in the rear ledge. Wall mounting bz using the fixing holes provided in both the rear upstand and the rear apron fixing brackets. Screws and plugs are not supplied. With 32mm waste, plug, overflow and chain

Technical data	
Bowl height	141.00 mm
Bowl width	141.00 mm
Bowl depth	410.00 mm
Material thickness	0.90 mm
Overall depth	357.00 mm
Overall height	165.00 mm
Overall width	457.00 mm
Waste hole projection	127.00 mm
Material	Stainless steel
Material code	1.4301 Chrome Nickel steel V2A
Tailor made	No
Tap ledge	Yes
Type of mounting	Wall mounting
Waste hole position	Center
Bowl finish	Satin finish
Bowl shape	Rounded rectangle
Overflow	Yes
Rear upstand	Yes
Splash back	No
Surface finish	Satin finished
Waste kit included	Yes
Waste size	DN 25
FUN Number	203.0000.057

# D20163N Model WB18 Washbasin

MODEL RANGE: TUBS-BASINS | D20163N | 203.0000.057

Wash basins & Washtroughs | Wash basins

---

## Accessory Optional

---



---

2000100385

F1076

---



---

2000100386

F1080

---



---

2000100387

F1082

---



---

2000100392

F1329

---