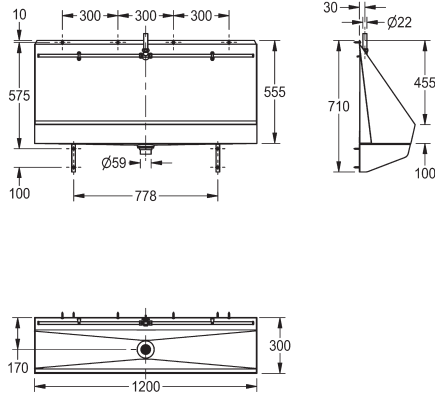
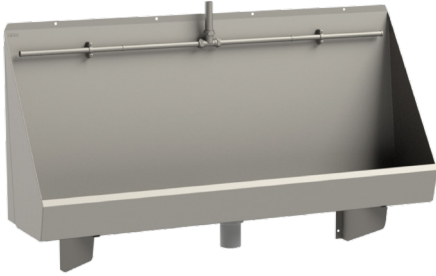


CENTINEL 1200mm urinal with exposed sparge pipe

Model line: URINALS | **CEN120E**



CEN120E

1200mm centinel urinal with exposed sparge pipe

Manufactured from 1.2mm thick grade 1.4301 (304) stainless steel with a satin polish finish. Designed with the waste outlet positioned centrally within the urinal. Supplied complete with a 2" Domed waste, exposed sparge pipes, sparge pipe cover, interconnecting pipework, 9 litre cistern and downpipe.

The recommended height for fixing the cisterns is 750 - 950mm, from the underside of the cistern to the top return of the urinal. All urinals are screw fixed to the wall through fixing holes in the top flange together with separate wall mounted brackets which support the base of the unit.

Technical data

Material	Stainless steel
Gross weight	20kg
Overall dimensions	1200 x 300 x 555 mm (w x h x d)
Material thickness	1.2mm
Surface finish	Satin
Type of flushing	Water flushed
Waste size	50mm
Water inlet	Exposed
Water outlet	Exposed
Cistern	9L Cistern F3048