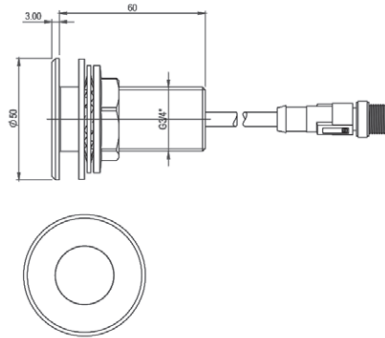


KWC

KINGSWEAR Programmable tap sensors

Model line: KINGSWEAR | **AT10-032**



AT10-032

KINGSWEAR Programmable tap sensor

Kingswear range of programmable tap sensors compatible with the handheld programmer and the full Kingswear collection. The system allows for customisation of tap settings including sensor sensitivity, run-on times, anti-vandal lock-outs and hygiene flushing.

Technical data

Material	316 Stainless steel
Surface finish	Gold PVD finish
Gross weight	0.2kg
Operation type	A.I.R (Active Infrared) touch-free
Type of mounting	Wall mounted (Ø27mm drill hole required)

Adjustable settings

Runtime	2, 5, 10, 15, 20 & 30 Seconds (Default 2 seconds)
Sensor range	1-10 (Default 5)
Wave-on / Wave-off operation	ON / OFF (Default OFF)
Anti vandal time	30 secs, 1, 2, 4 & 8 mins (Default 1 Minute)
Automatic purge	ON / OFF (Default OFF)
Purge run time	30 secs, 1, 2, 4 & 8 mins (Default 1 Minute)
Lock outs	OFF, 4, 6, 8 & 10 ops (Default OFF)