

AQUARIUS A45

Gold Brushed with Copper Tails

AT10-006

The Aquarius range incorporate simple and modern design, with the latest electronic functionality.

Sensor operated for maximum hygiene and efficiency. 5 litres per minute integrated flow control. (Standard 5LPM, Other flow rates available)

Automatic purge function, Sensor range adjustment, Wave on/wave off function, Anti Vandal and Lock Out functions, Chlorination function.

Single mixed feed connection by Copper tail (10mm). External TMV required.

Gold Brushed finish.

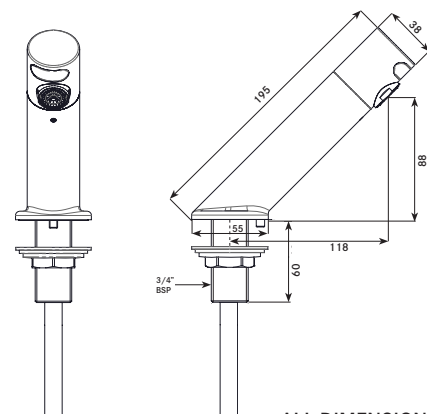
Requires a Station kit to operate. Station kits available in Single Station Battery or Mains Single Station, 2 Station or 3 Station for multiple connections. Refer to Station kit Data sheets.

PRODUCT NUMBER

| | | |
|----------|--------------|------------------|
| AT10-006 | Gold Brushed | A45 no touch tap |
|----------|--------------|------------------|

TECHNICAL DATA

| | |
|------------------------------|---|
| Type of tap | Aquarius A45 |
| Material | 316 Stainless Steel |
| Surface finish | Gold Brushed |
| Gross weight | 1.1 kg |
| Type of operation | No Touch Sensor |
| Type of mounting | Deck mounted |
| Type of mixing | Additional TMV may be required |
| Automatic purge | Yes* - Default: OFF Options: 3, 6, 12, 24, 36 & 48 hours |
| Purge run time | Default 1 min* Options: OFF, 30 secs, 1, 2, 4 & 8 mins |
| Spout projection | 118mm |
| Minimum flow pressure | 1.00 bar (Lower pressure station kits available) |
| Volume flow rate at 3 bar | 5LPM (Other flow rates available) |
| Adjustable run time | Yes* - Default: 2 secs Options: 2, 5, 10, 15, 20, 30 secs |
| Water connection | 10mm Copper tails |
| Anti-Vandal function | Yes |
| Lock out function | Default OFF* Options: OFF, 4, 6, 8 & 10 operations |
| Chlorination function | Yes* - Default 2 mins Options: 1, 2, 3, 4, 5, 10, 20 & 30 mins |
| Battery or mains station kit | Single Battery: AT00-001 Single Mains: AT00-002 - Other options available. Contact DVS. |
| Working pressure | 1-10 Bar (For Low / High pressure, Contact DVS.) |
| Max working temperature | 60°C |
| Fixing | ¾" BSP |
| Fixing length | Up to 50mm with flange nut |



ALL DIMENSIONS IN MM

Last Updated: 2021-11-04, Dart Valley Systems



* (Set By Handheld Programmer)