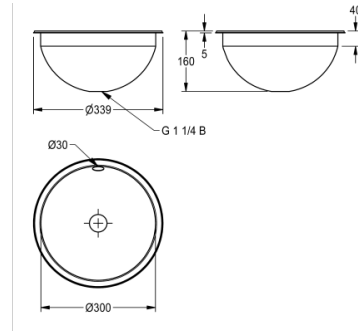


# ROUND BASIN: RNDH300

RNDH300 | 2000056337

PRODUCT GROUP : Wash basins & Washtroughs | ARTICLE FAMILY : Wash basins | ARTICLE GROUP : RNDH300 ++ |  
MODEL RANGE : RONDO

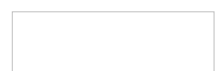


Round inset vanity basin, can be mounted from top or underneath, stainless steel, material thickness 1 mm, bowl diameter 300 mm, with overflow, incl. 5/4" overflow kit without waste, stainless steel lugs for underneath mounting are included. Outcut diameter for mounting from top: 319 mm, outcut diameter for mounting from underneath: 290 mm

surface high-polished

## TECHNICAL DATA

Bowl position	center
Bowl height	150.00 mm
Bowl finish	high polished
Bowl width	300.00 mm
Bowl shape	circle
Bowl depth	300.00 mm
Colour	no colour
Gross weight	1.40 kg
Material	Stainless steel
Material code	1.4301 Chrome Nickel steel V2A
Material thickness	1.00 mm
Net weight	1.40 kg
Number of bowls	1
Overall depth	339.00 mm
Overall height	150.00 mm
Overall width	339.00 mm
Overflow	Yes
Rear upstand	no
Siphon included	no
Splash back	no
Surface finish	high polished
Number of tap holes	0
Tap ledge	no
Type of mounting	Inset mounting
Waste hole position	Centre
Waste hole projection	169.50 mm



Waste kit included	no
Waste size	DN 32
Product code	210.0056.337

