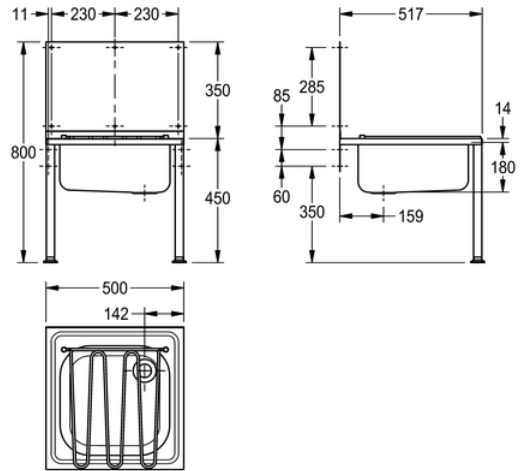


BUCKET SINK: G21663N

G21663N | 2000100258

ARTICLE GROUP : G21663N | ARTICLE FAMILY : Cleaners sink | PRODUCT GROUP : Utility sinks



Floor standing bucket sink manufactured from grade 1.4301 (304) stainless steel, material thickness 1.2mm, with splash back, hinged grating, 38mm BSP waste fitting and complete with integrall wall brackets. The bucket sink is supported on two front legs and is held in position by screwing the two integral wall brackets directly to the wall. Screws and wall plugs are not supplied.

TECHNICAL DATA

bowl - bowl depth	180.00 mm
bowl - depth	400.00 mm
bowl - width	400.00 mm
grid	fixed
grid material	stainless steel
gross weight	11.75 kg
material	stainless steel
material code	1.4301 Chrome Nickel steel V2A
material thickness	1.20 mm
net weight	10.90 kg
overall depth	517.00 mm
overall height	780.00 mm
overall width	500.00 mm
rear upstand	no
splash back	yes
surface finish	satin finished
tap ledge	no
type of mounting	wall mounting
waste hole position	right back corner
waste size	DN 32

BUCKET SINK: G21663N

G21663N | 2000100258

ARTICLE GROUP : **G21663N** | ARTICLE FAMILY : **Cleaners sink** | PRODUCT GROUP : **Utility sinks**

ACCESSORY



**SELF-CLOSING BIB TAP:
AQUA205**

2000065910



**SELF-CLOSING BIB TAP:
AQUA205W**

2000065911



TAP: F1071

2000100381



TAP: F1072

2000100383



TAP: F1073

2000100384
