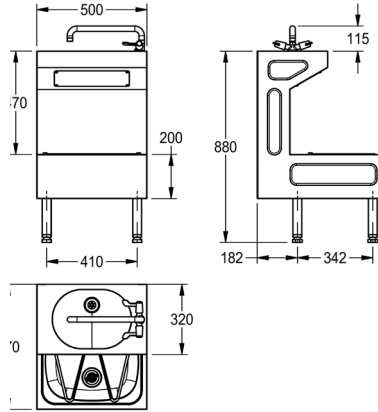


KWC JANITORIAL UNIT

Model line: JANITORIAL UNIT | **G20055N**



KWC -No.

2000106175

Janitorial Unit

Floor standing janitorial unit manufactured from grade 1.4301 (304) stainless steel, 1.2mm material thickness throughout except for lower bowl which is 0.9mm. Supplied complete with lever operated monobloc mixer, copper tails, 32mm flush grated waste outlet for top wash bowl and 38mm domed waste (for lower bowl).

The janitorial unit can be fixed with 4 legs for floor standing or part wall hung / floor standing by using two of the front legs or alternatively can be fitted as a wall hung unit by using the joggle strip provided.
HTM64 Standard

Technical data

Bowl - bowl depth	180.00 mm
Bowl - depth	360.00 mm
Bowl - width	420.00 mm