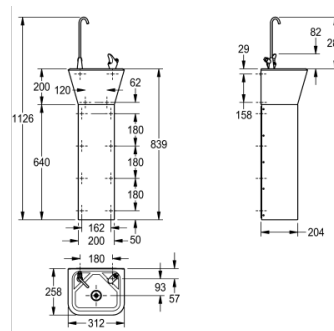


DRINKING FOUNTAIN: ANMX307

ANMX307 | 2000101231

ARTICLE GROUP : **ANMX307** | ARTICLE FAMILY : **Drinking fountains unchilled** | PRODUCT GROUP : **Water dispensers** |
MODEL RANGE : **ANIMA**



Drinking water fountains are manufactured from grade austenitic stainless steel, material thickness 1.2mm, supplied complete with 19mm waste and water bubbler. The wall mounted model is simply fixed to the wall using a joggle strip and integral mounting brackets. The pedestal version is fixed in the same way as the wall mounted version but incorporates extra fixing points within the pedestal support. No screws or wall plugs supplied.

TECHNICAL DATA

| | |
|-----------------------|--------------------------------|
| Bowl height | 20.00 mm |
| Bowl width | 256.00 mm |
| Bowl depth | 210.00 mm |
| Gross weight | 10.40 kg |
| Material | STAINLESS-STEEL |
| Material code | 1.4301 Chrome Nickel steel V2A |
| Material thickness | 1.20 mm |
| Net weight | 10.00 kg |
| Overall depth | 258.00 mm |
| Overall height | 1,126.00 mm |
| Overall width | 312.00 mm |
| Surface finish | Satin finish |
| Type of mounting | FLOOR-MOUNTING |
| Type of operation | MANUAL-OPERATION |
| Waste hole position | Centre |
| Waste hole projection | 153.00 mm |
| Waste size | DN 20 |
| Product code | 213.0000.003 |
| Drinking bubbler | yes |
| Glass filler | yes |
| Outlet size | G 1 1/2 B |
| Surface material | stainless steel |