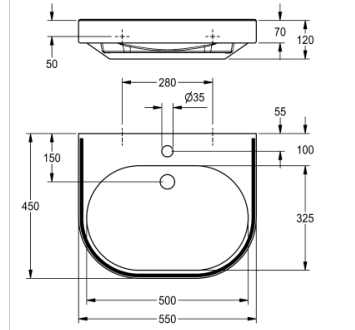


# SINGLE WASH BASIN

ANMW502 | 2030020959

PRODUCT GROUP : **Wash basins & Washtroughs** | ARTICLE FAMILY : **Wash basins** | ARTICLE GROUP : **ANMW500 ++** |  
MODEL RANGE : **VARIUS** | PRODUCT GROUP : **Hospital equipment** | MODEL RANGE : **MIRANIT**



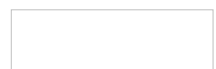
Single wash basin VARIUScare made of MIRANIT resin-bonded mineral material, with pore-free, smooth surface (temperature-resistant up to 80°C). Colour Alpine white. Wheelchair accessible and ergonomic designed based on the two-senses principle (tactile and visual), with integrated gripping edge and colour strip (RAL 7022). Seamless moulded bowl, without overflow. With tap hole, integral back panel with integrated brackets and holes for fixing. Rear contoured edge.

Dimension: 550 x 120 x 450 mm (W x H x D)

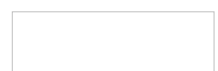
Bowl dimension: 500 x 80 x 325 mm (W x H x D)

## TECHNICAL DATA

Gross weight	19.00 kg
Net weight	16.00 kg
Type of basin	vanity basin
Bowl position	center
Colour	alpinewhite
Material	mineral material
Material code	Miranit
Overflow	no
Rear upstand	Yes
Siphon diameter	DN 32
Siphon included	no
Splash back	no
Tap ledge	yes
Product code	203.0000.029
Bowl height	80.00 mm
Bowl width	325.00 mm
Bowl depth	500.00 mm
Number of bowls	1
Overall depth	450.00 mm



Overall height	120.00 mm
Overall width	550.00 mm
Tap hole diameter	35.00 mm
Tap hole position	middle
Number of tap holes	1
Type of mounting	Wall mounting
Waste hole position	centre back
Waste kit included	no



# SINGLE WASH BASIN

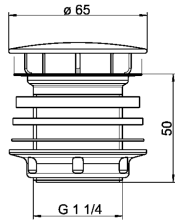
ANMW502 | 2030020959

PRODUCT GROUP : **Wash basins & Washtroughs** | ARTICLE FAMILY : **Wash basins** | ARTICLE GROUP : **ANMW500 ++** |  
MODEL RANGE : **VARIUS** | PRODUCT GROUP : **Hospital equipment** | MODEL RANGE : **MIRANIT**

---

## ACCESSORY

---



---

## DOME WASTE VALVE

---

2000100861

---

