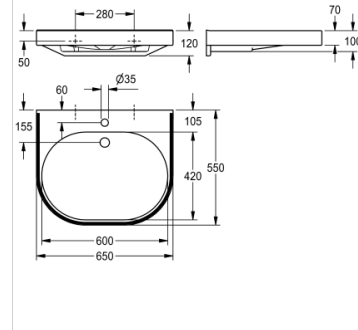


# SINGLE WASH BASIN

ANMW500 | 2030020956

PRODUCT GROUP : **Wash basins & Washtroughs** | ARTICLE FAMILY : **Wash basins** | ARTICLE GROUP : **ANMW500 ++** |  
MODEL RANGE : **VARIUS** | PRODUCT GROUP : **Hospital equipment** | MODEL RANGE : **MIRANIT**



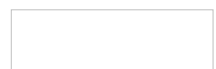
Single wash basin VARIUScare made of MIRANIT resin-bonded mineral material, with pore-free, smooth surface (temperature-resistant up to 80°C). Colour Alpine white. Wheelchair accessible and ergonomic designed based on the two-senses principle (tactile and visual), with integrated gripping edge and colour strip (RAL 7022). Seamless moulded bowl, without overflow. With tap hole, integral back panel with integrated brackets and holes for fixing. Rear contoured edge.

Dimensions: 650 x 120 x 550 mm (W x H x D)

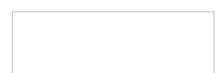
Bowl dimensions: 600 x 80 x 420 mm (W x H x D)

## TECHNICAL DATA

Gross weight	26.00 kg
Net weight	22.00 kg
Type of basin	vanity basin
Bowl position	center
Colour	alpinewhite
Material	mineral material
Material code	Miranit
Overflow	no
Rear upstand	Yes
Siphon diameter	DN 32
Siphon included	no
Splash back	no
Tap ledge	yes
Bowl height	80.00 mm
Bowl width	420.00 mm
Bowl depth	600.00 mm
Number of bowls	1
Overall depth	550.00 mm
Overall height	120.00 mm
Overall width	650.00 mm
Tap hole diameter	35.00 mm
Tap hole position	middle
Number of tap holes	1



Type of mounting	Wall mounting
Waste hole position	centre back
Product code	203.0000.027



# SINGLE WASH BASIN

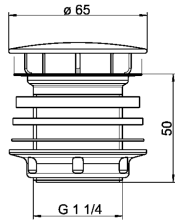
ANMW500 | 2030020956

PRODUCT GROUP : **Wash basins & Washtroughs** | ARTICLE FAMILY : **Wash basins** | ARTICLE GROUP : **ANMW500 ++** |  
MODEL RANGE : **VARIUS** | PRODUCT GROUP : **Hospital equipment** | MODEL RANGE : **MIRANIT**

---

## ACCESSORY

---



---

## DOMESTIC WASTE VALVE

---

2000100861

---

