

## Step 7 : Fault Finding

### 1. VALVE WILL NOT OPEN OR CLOSE PROPERLY

- Check valve supplied is suitable for the on site pressure, if in doubt contact KWC DVS for advice.
- The solenoid valve has a flow direction so ensure it is the right way round.
- There maybe debris in the solenoid valve. Remove valve and flush under running tap, refit and test.

### 2. AQUARI-SAVE UNIT WILL DO NOTHING

- If possible check voltage from battery. (6 volt DC required).
- Control board may have locked up. Power down the unit by removing the battery. If problem persists, contact KWC DVS.

### 3. VALVE OPENS AND RUNS FOR A LONG PERIOD BEFORE SHUTTING OFF.

- Check wiring to the plug on solenoid, it may be wired the wrong way round, reverse wires if necessary.
- Make sure all connections are correct and tight.

## Step 8 : Spares

AT00-026	6V Lithium Battery
AC17-001	6V DC ASCO 1.2mm Orifice
AC17-002	6V DC ASCO 2.0mm Orifice
AC17-003	6V DC ASCO 3.2mm Orifice
AC17-004	6V DC ASCO 4.0mm Orifice
AC17-005	6V DC ASCO 6.7mm Orifice
AC17-018	6V DC ASCO 19mm Orifice
AC01-001	Handheld Programmer

## Warranty, Support and End of Life Disposal

### Warranty

The Aquari-Save is guaranteed for 5 years from purchase against defective material and assembly.

The solenoid valve is guaranteed for 12 months, subject to water condition, however it is expected that the valve internals will operate efficiently for many years.

### Support

For technical support please visit our technical pages on our website at [www.dartvalley.co.uk](http://www.dartvalley.co.uk) or contact us by e-mail at [kwcdvstechsupport@kwc.com](mailto:kwcdvstechsupport@kwc.com). Alternatively, you can telephone us direct on 01803 529021 and our customer service team will be pleased to help you.

### Disposal of electrical and electronic equipment



The use of this crossed out wheeled bin logo indicates that this product needs to be disposed of separately to any other household waste.

Within each of the European Union member countries, provisions have been made for the collection and recycling of unwanted electrical and electronic equipment. Outside of the EU it will be necessary to dispose of this product at your local community waste collection or recycling centre. In order to help preserve our environment we ask that you dispose of this product correctly. Please contact your local council for collection centre details.

### Disposal of waste batteries



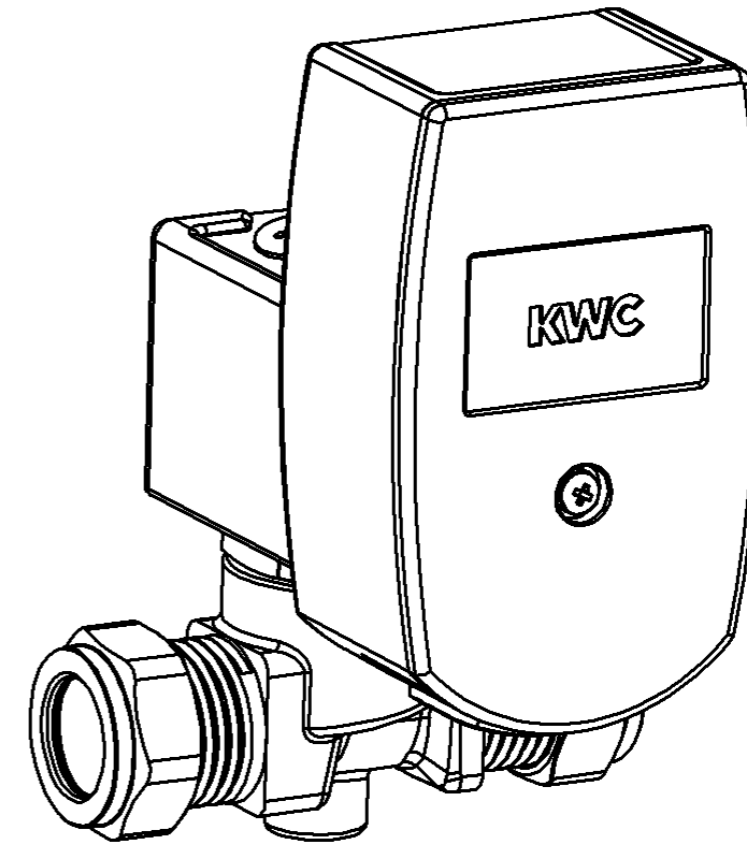
The use of this crossed out wheeled bin logo indicates that the battery needs to be disposed of separately to any other household waste.

Within each of the European Union member countries, provisions have been made for the collection and recycling of waste batteries. Outside of the EU it will be necessary to dispose of this product at your local community waste collection or recycling centre.

In order to help preserve our environment we ask that you dispose of this battery correctly. Please contact your local council for collection centre details.

# KWC DVS

## Aquari-Save Water control valve AC04-046



## Step 1 : Safety First

These instructions relate to the use of the Aquari-Save only, any external or 'add-on' parts will be supplied with separate instructions.

During installation, do not expose electronics to dust, dirt or damp. It is recommended that any plumbing is carried out by a qualified plumber.

This product must be installed correctly as per these instructions to perform correctly.

If the appliance is used by persons (including children) with reduced physical, sensory or mental capabilities, or lack of experience and knowledge, they must be given adequate supervision or instruction concerning use of the appliance by a person responsible for their safety.

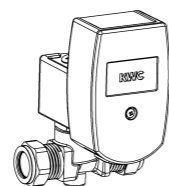
Children should be supervised to ensure that they do not play with the appliance.



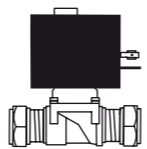
**IMPORTANT:** Please read these instructions carefully and follow each stage in order!

## Step 2 : Kit Contents

A typical kit will include; Aquari-Save unit, one solenoid valve and a M3 Screw.



Control Box  
(AC04-047)



6V DC Solenoid valve  
AC17-006



Optional KWC DVS  
Handheld Programmer  
(AC01-001)



M3 x 35  
(PP00-826)

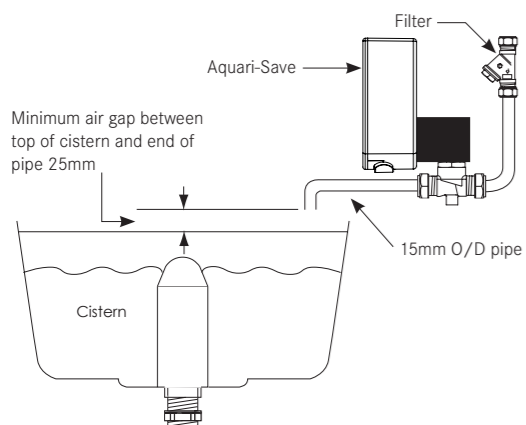
\*Not to scale

## Step 3 : Plumbing

### Fitting the Solenoid Valve For Urinal Flushing

Isolate the local water supply and position the solenoid valve in a position, as near to the cistern as possible and preferably upright (shown below). Cut the supply pipe to required length and purge any debris or swarf. Fit the Solenoid valve ensuring joints are tightened and checked for leaks but do not use plumbing paste. In the event of very low or high water pressure the manufacturer can offer alternative solenoid valves under special request.

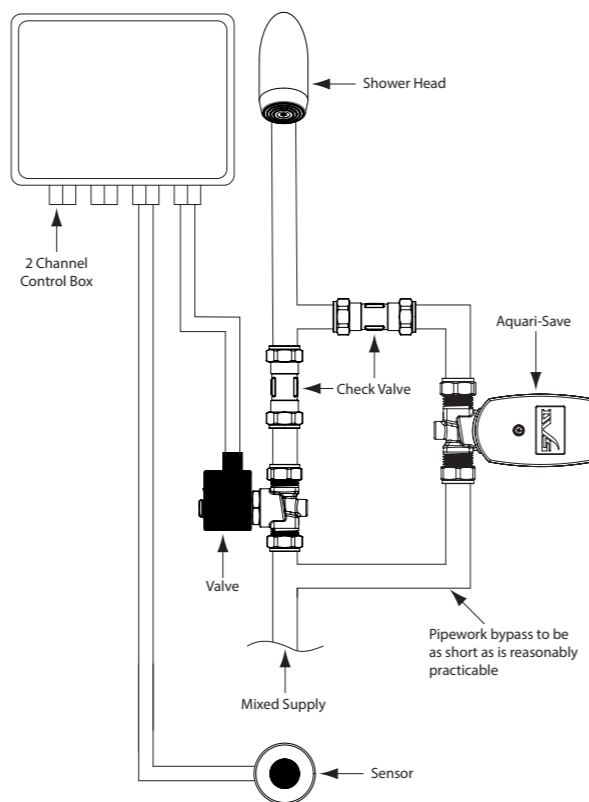
It is highly recommended that a water filter (not supplied) be fitted prior to the solenoid valve to ensure reliable operation.



**NOTE:** Aquari-Save is not limited to flushing only and can be used for other applications.

## Step 3 : Continued

### Fitting the Solenoid Valve For Purging



## Step 4 : Wiring & Electrical

### Power Input

The battery supplied has a simple 2 pin connector and great care must be taken to connect it in polarity (see Fig.4).

The battery is pre-mounted into the unit and isolated using a battery isolation strip. At the end of the battery life, the battery should be carefully removed from the unit and disposed of according to the disposal instructions at the end of these instructions. Replacement batteries can be purchased through your supplier or direct from KWC DVS (Refer to Step 8 for spares.)

Caution must be exercised with Lithium type batteries:

1. DO NOT attempt to recharge
2. DO NOT expose to naked flames
3. DO NOT 'short circuit' battery
4. DO dispose of battery with care

### Valve Connection

In the event that the Aquari-Save unit becomes detached from the valve Fig. 4 shows how to re-establish the connection of the valve cable to the sensor board.

Connection to the coil must be made via the supplied spade connectors as shown in Fig. 5.

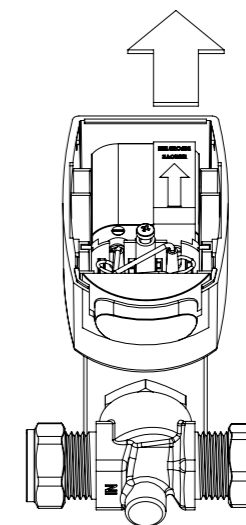
## Step 5 : Preparing The Control Box

### Preparing the Control Box

The control box is not IP rated and should be located in a dry location, away from extreme temperatures and not exposed to dirt dust or damp. The unit should be accessible when required although not within easy reach of unauthorised persons.

### Activation

Remove the lid/cover and place in a safe place. Pull the battery isolation strip out of the box. This will engage the battery and power up the unit.



## Step 5 : Continued

Fig. 4

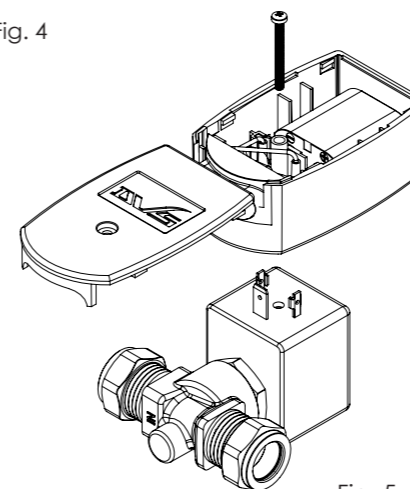
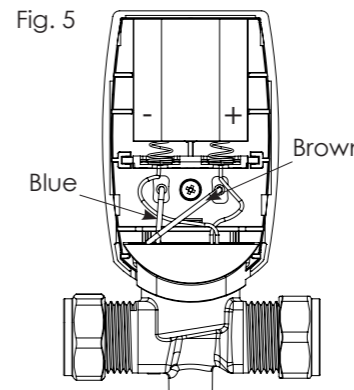


Fig. 5



## Step 6 : Program Settings

Before you can program your Aquari-Save unit, first you must navigate your programmer to the "System Menu" and scroll down to the "Timed Flush Time" line. If your programmer shows "Selected" you will be able to adjust the run time in the Aquari-Save menu, if the menu displays "Measured", you will get a 20 second fixed run time. Use the key pad to change from "Measured" to "Selected" if required. For instruction on how to program your unit please make reference to the hand held programmer instructions (PP00-468)

### AQUARI-SAVE

Run Time	2,5,10,15,20,30,40,50,60 Secs, 2, 3, 4, 5 minutes
Day Of Week	Mon-Sun
First Flush At	00:00-23:45 (15min Increments)
Last Flush At	00:00-23:45 (15min Increments)
No of Flushes	0-40
Flushing	On/Off
Test / Hygiene Flush	
"Measured" Default	
Fill Time	20 Secs

**NOTE:** The Aquari-Save does NOT come with a KWC DVS Handheld Programmer and must be purchased separately