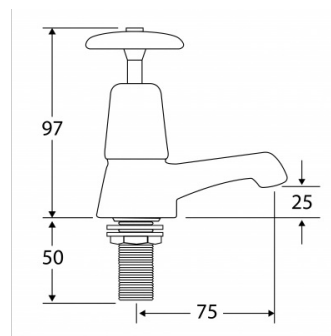


F1080N | 208.0560.123

PRODUCT GROUP : Taps | LIFECYCLE : New | ARTICLE FAMILY : Manual taps | ARTICLE GROUP : F1080



Crosshead basin taps for connecting to hot and cold water. The 13mm basin taps are manufactured from chromium plated brass. Conforms to BS5412 standard.

TECHNICAL DATA

| | |
|---------------------------|-----------------------|
| Gross weight | 0.90 kg |
| Net weight | 0.77 kg |
| depressurised | NO |
| Functional principle | MANUAL-C |
| hygiene flushing | NO |
| Material fitting | BRASS |
| minimum flow pressure | 0.10 bar |
| Type of mixing | with mixer |
| spout projection | 75.00 mm |
| Surface finish fitting | CHROMISED |
| Type of mounting | MOUNTED-ON-PRODUCT |
| Type of operation | MANUAL-OPERATION |
| Type of tap | PILLAR-TAB |
| volume flow rate at 3 bar | 0.60 litre per second |
| Product code | 208.0560.123 |