

WM CONCEALED PUSH TAP

MT00-023

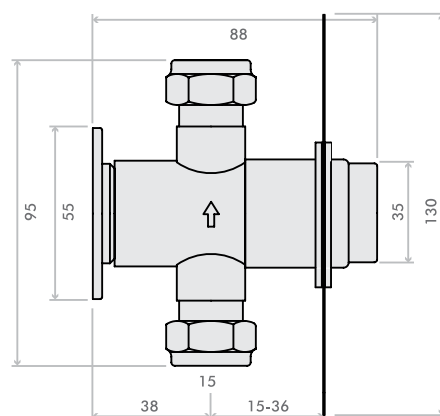
Self-closing WM Concealed push tap (polished Stainless Steel) for showers with polished Stainless Steel backplate, for use with DVS showers. Easy to install and maintain.

PRODUCT NUMBER

MT00-023

TECHNICAL DATA

Material	316 Stainless Steel
Surface finish	Polished
Gross weight	0.60kg
Type of operation	Push button - non concussive
Type of mounting	Wall mounted
Type of mixing	External TMV required
Operating pressure (min/max)	0.2 to 10 BAR
Water connection (inlet/outlet)	15mm compression
Max inlet temperature	65°C
Run time	30 secs at 3 BAR (+5/-10) secs
Adjustable run time	No



ALL DIMENSIONS IN MM

Last updated:
2016-01-12, Dart Valley Systems