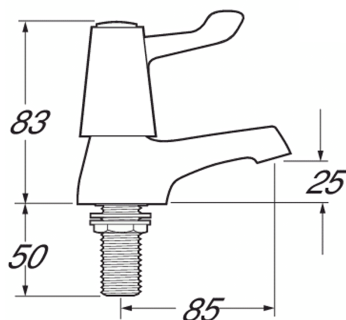


## KWC

### Lever action basin taps



#### F1329N

Lever action basin taps

Lever operated basin taps for connecting to hot and cold water. Manufactured from chromium plated brass. Conforms to BS5412 standard.

#### Technical data

Gross weight	0.78kg
Net weight	0.65kg
Depressurised	No
Functional principle	Manual-C
Hygiene flushing	No
Material fitting	Brass
Minimum flow pressure	0.1 bar
Protective shutdown	No
Spout projection	75mm
Surface finish fitting	Chromium-plated brass
Type of mounting	Mounted on product
Type of operation	Manual operation
Type of tap	Pillar tap
Volume flow rate at 3 bar	0.41 litre per second