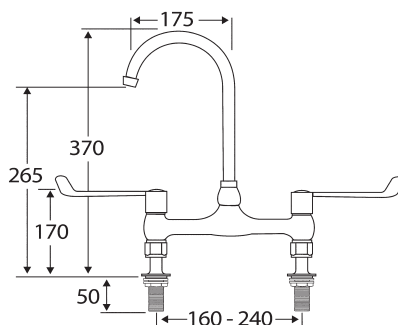


KWC

Lever operated mixer tap



F1075N

Lever operated mixer tap

Lever operated mixer tap for connecting to hot and cold water. The mixer tap is supplied with 6" long levers which can be operated by either the elbows or wrists, using a quarter turn action. Suitable for use with tap holes between 165 - 240mm centres. Manufactured from chromium plated brass.

Technical data

Tailor made	No
Type of mounting	Mounted on product
Type of operation	Manual operation
Type of mixing	With mixing
Surface finish	Chromium-plated brass
Type of tap	Pillar tap
Minimum flow pressure	0.2 bar
Spout projection	175mm
Volume flow rate at 3 bar	0.6 litre per second
Depressurised	No
Functional principle	Manual