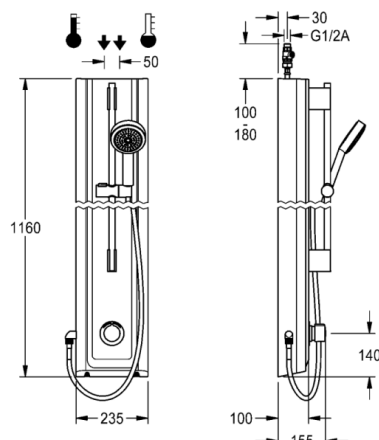


# F5S Mix shower panel made of MIRANIT with hand shower fitting

MODEL RANGE: F5 | F5SM2025 | 210.0595.597

Showers | Self closing showers



F5S Mix shower panel made of mineral material for wall mounting with DN 15 self-closing single control mixer and connecting nozzles for a hand shower fitting. FRAMIC self-closing mixing cartridge, hydraulically controlled, low maintenance and stagnation free, with ceramic disc technology, self closing, flow pressure independent due to the medium-independent design. Stepless adjustment of flow duration. With adjustable, turn-proof temperature stop. For connection to hot and cold water. All-metal construction, visible parts high-polished or chrome-plated. Pre-fitted chrome-plated brass shower pole with height-adjustable hand shower holder and chrome-plated plastic hand shower, shower head with rain jet, diameter 110 mm, shower hose 900 mm. Housing with raised function surface made of MIRANIT resin-bonded mineral material with pore-free smooth surface (temperature-resistant up to 80 °C), Alpine white colour. Connecting hoses with lockable water volume control with backflow preventer and strainer.

Dimensions of housing 235 x 1160 x 100 mm (W x H x D)

Technical data	
Overall depth	100.00 mm
Overall height	1,160.00 mm
Overall width	235.00 mm
Tailor made	No
Type of mounting	Wall mounting
Type of operation	Manual operation
Diameter nominal	DN 15
Inlet size	G-1-2-A
Material casing	Mineral material
Material fitting	Brass
Type of mixing	With mixing
Sound insulation	No
Surface finish fitting	Chromed
Minimum flow pressure	1.00 bar
Adjustable flow time	Yes
Functional principle	Hydraulic self-closing
Protective shutdown	No
Thermal disinfection	No
Additional connections	No
Circulation	No
Connection with pay water dispenser	Not possible
Shower pipe draining	No
Type of shower	Shower panel
Position of water connection	From top / backside
Material code casing	MIRANIT



# F5S Mix shower panel made of MIRANIT with hand shower fitting

MODEL RANGE: F5 | F5SM2025 | 210.0595.597

Showers | Self closing showers

## Accessory Optional



Housing extension for F5 shower panels made of MIRANIT

2030057071

ACXX2016



Housing extension for F5 shower panels made of MIRANIT

2030057072

ACXX2017



Housing extension for F5 shower panels made of MIRANIT

2030057073

ACXX2018



Housing extension for F5 shower panels made of MIRANIT

2030057075

ACXX2019



Housing extension for F5 shower panels made of MIRANIT

2030057076

ACXX2020



Connection adapter

2000101441

AQRM928