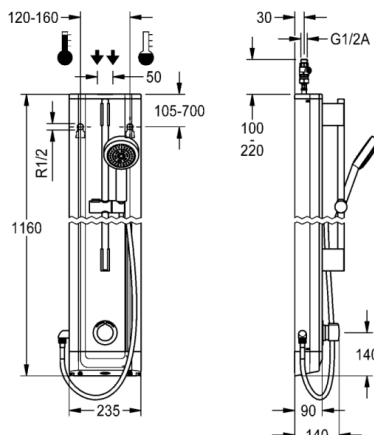


FS5 Mix stainless steel shower panel with hand shower fitting

MODEL RANGE: F5 | F5SM2021 | 210.0595.594

Showers | Self closing showers



F5S Mix shower panel made of stainless steel for wall mounting with DN 15 self-closing single control mixer and connecting nozzles for a hand shower fitting. FRAMIC self-closing mixing cartridge, hydraulically controlled, low maintenance and stagnation free, with ceramic disc technology, self closing, flow pressure independent due to the medium-independent design. Stepless adjustment of flow duration. With adjustable, turn-proof temperature stop. For connection to hot and cold water. All-metal construction, visible parts high-polished or chrome-plated. Pre-fitted chrome-plated brass shower pole with height-adjustable hand shower holder and chrome-plated brass hand shower, shower head with rain jet, diameter 110 mm, shower hose 900 mm. Housing made of stainless steel with raised function surface and plastic cover caps. Connecting hoses with lockable water volume control with backflow preventer and strainer.

Dimensions of housing 235 x 1160 x 90 mm (W x H x D)

Technical data	
Overall depth	90.00 mm
Overall height	1,160.00 mm
Overall width	235.00 mm
Tailor made	No
Type of mounting	Wall mounting
Type of operation	Manual operation
Diameter nominal	DN 15
Material casing	Stainless steel
Material fitting	Brass
Type of mixing	With mixing
Sound insulation	No
Surface finish fitting	Chromed
Minimum flow pressure	1.00 bar
Adjustable flow time	Yes
Functional principle	Hydraulic self-closing
Protective shutdown	No
Thermal disinfection	No
Additional connections	No
Circulation	No
Connection with pay water dispenser	Not possible
Shower pipe draining	No
Type of shower	Shower panel
Position of water connection	From top / backside
Material code casing	1.4301 Chrome Nickel steel V2A
Maximum flow time	35.00 seconds
Minimum flow time	5.00 seconds
Hygiene flushing	No



FS5 Mix stainless steel shower panel with hand shower fitting

MODEL RANGE: F5 | F5SM2021 | 210.0595.594

Showers | Self closing showers

Accessory Optional



Housing extension for F5 shower panels made of stainless steel

2030057066

ACXX2011



Housing extension for F5 shower panels made of stainless steel

2030057067

ACXX2012



Housing extension for F5 shower panels made of stainless steel

2030057068

ACXX2013



Housing extension for F5 shower panels made of stainless steel

2030057069

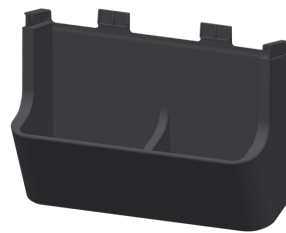
ACXX2014



Housing extension for F5 shower panels made of stainless steel

2030057070

ACXX2015



Shower gel dish for F5 shower panels

2030057077

ACXX2021



Connection adapter

2000101441

AQRM928