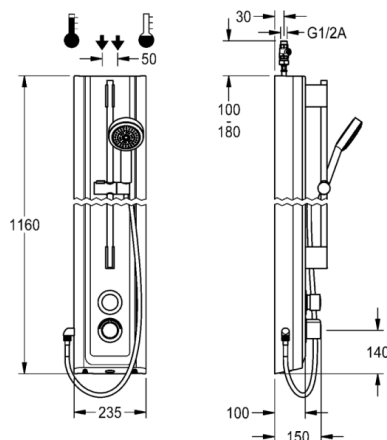


# F5S Therm shower panel made of MIRANIT with hand shower fitting

MODEL RANGE: F5 | F5ST2025 | 210.0595.590

Showers | Self closing showers



F5S Therm shower panel made of mineral material for wall mounting with DN 15 self-closing thermostatic mixer and a hand shower fitting. Hydraulically controlled, for connection to hot water and cold water. Shower valve with integrated FRAMIC self-closing cartridge, thermostat and pre-assembled hygiene unit including sensor with control electronics to perform automatic water hygiene flushing, program-controlled thermal disinfection (additional bypass solenoid-operated flush valve cartridge required) and storage of statistical data. FRAMIC self-closing cartridge, low maintenance and stagnation free, with ceramic disc technology, self closing, flow pressure independent due to the medium-independent design. Stepless adjustment of flow duration. Thermostat with metal handle, an adjustable and turn-proof temperature stop and an option for manual thermal disinfection. All-metal construction, visible parts high-polished or chrome-plated. Pre-fitted chrome-plated brass shower pole with height-adjustable hand shower holder and chrome-plated brass hand shower, shower head with rain jet, diameter 110 mm, shower hose 900 mm. Housing with raised function surface made of MIRANIT resin-bonded mineral material with pore-free smooth surface (temperature-resistant up to 80 °C), Alpine white colour. Connecting hoses with lockable water volume control with backflow preventer and strainer. Activated water hygiene flushing at fixed intervals of 24 hours. With option for parameterization and communication via the optional bidirectional remote control. Optional hygiene unit for battery operation with 6 V lithium battery (CR-P2) per fitting or separate power supply via plug-in power supply unit 6.75 V/12 V DC.

Dimensions of housing 235 x 1160 x 100 mm (W x H x D)

Battery compartment including battery or plug-in power supply unit with extension cable to be ordered separately.

Technical data	
Overall depth	100.00 mm
Overall height	1,160.00 mm
Overall width	235.00 mm
Tailor made	No
Type of mounting	Wall mounting
Type of operation	Manual operation
Diameter nominal	DN 15
Inlet size	G-1-2-A
Material casing	Mineral material
Material fitting	Brass
Type of mixing	Thermostat
Sound insulation	No
Surface finish fitting	Chromed
Minimum flow pressure	1.00 bar
Adjustable flow time	Yes
Functional principle	Hydraulic self-closing
Protective shutdown	No
Thermal disinfection	Prepared for automatic thermal disinfection
Default automatic hygiene flushing	Fixed interval 24 hours
Power supply connection	6-12-VDC
Type of sensor	Opto-electronic sensor
Franklin Water Systems contact info.int@franke.com   www.franke.com	2020-05-13
Additional connections	No
Circulation	No
Connection with pay water dispenser	Not possible
Shower pipe draining	No



# F5S Therm shower panel made of MIRANIT with hand shower fitting

MODEL RANGE: F5 | F5ST2025 | 210.0595.590

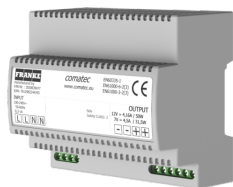
Showers | Self closing showers

## Accessory Mandatory



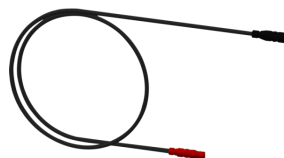
Battery compartment

2000109466  
ZAQCT0003



Power supply unit

2030039477  
ACEX9001



Extension cable 5 m

2030043814  
ACEX9010

## Accessory Optional



Bidirectional remote control for electronic fittings F3 and F5

2030036654  
ACEX9005



2-button remote control for fittings F3 and F5

2030036849  
ACEX9004



Housing extension for F5 shower panels made of MIRANIT

2030057071  
ACXX2016



Housing extension for F5 shower panels made of MIRANIT

2030057072  
ACXX2017



Housing extension for F5 shower panels made of MIRANIT

2030057073  
ACXX2018



Housing extension for F5 shower panels made of MIRANIT

2030057075  
ACXX2019



Housing extension for F5 shower panels made of MIRANIT

2030057076  
ACXX2020



Installation set

2030008547  
ZSHOW0013

# F5S Therm shower panel made of MIRANIT with hand shower fitting

MODEL RANGE: F5 | F5ST2025 | 210.0595.590

Showers | Self closing showers

---

## Accessory Optional

---



---

### Connection adapter

2000101441

AQRM928

---