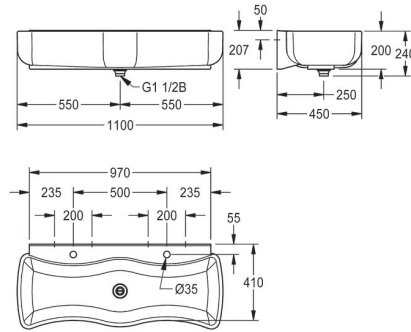


Children's washtrough



SANW200P

Children's washtrough

WASHINO-2 children's wash-and-play trough made of MIRANIT Tresin-bonded mineral material, Alpine white colour. With 2 wash places. Wave-shaped basin, large inner and outer radii of basins, with integrated surge edge, tap landing with a tap hole for each wash place. Waste and overflow valve as a standpipe. Mounting on washbasin back panel. Mounting material included.

Technical data

Material	Mineral material
Material code	Miranit
Number of waste holes	1
Overall depth	450mm
Overall height	240mm
Overall width	1,100mm
Rear upstand	No
Splash back	Yes
Number of tap holes	2
Tap ledge	Yes
Tap ledge position	Back
Type of mounting	Wall mounting
Type of waste kit	UK waste
Number of wash places	2
Waste hole position	Centre
Waste kit included	Yes
Waste size	DN 40
Minimum flow time	5 seconds
Protective shutdown	No
Sound insulation	No
Surface finish casing	Satin finish
Surface finish fitting	Chromium-plated brass
Thermal disinfection	No
Type of operation	Manual operation
Volume flow rate at 3 bar	0.2 litre per seconds
Position of water connection	Side
Hygiene flushing	No
Inlet size	G 3/4 B