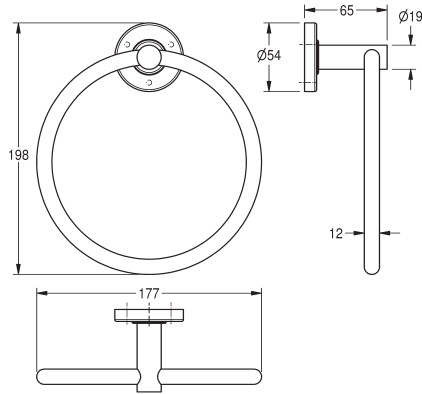


MEDIUS Towel ring

Model line: MEDIUS | **MEDX104HP**



MEDX104HP

Towel ring

Towel ring for wall mounting, 304 stainless steel, round covers to conceal the fixing of screws, includes stainless steel screws and dowels.

Surface high polished

Dimensions 177 x 198 x 65 mm (W x H x D)

Technical data

Material	Stainless steel
Material code	1.4301 chrome nickel steel V2A
Overall depth	65mm
Overall height	198mm
Overall width	177mm
Surface finish	High polished
Type of fixing	Screw
Type of mounting	Wall mounting
Tailor made	No