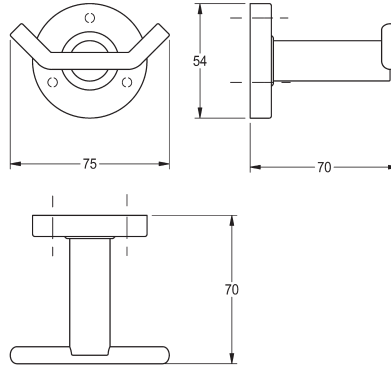


KWC

MEDIUS Double robe hook

Model line: MEDIUS | **MEDX0110HP**



MEDX0110HP

Double robe hook

Double robe hook for wall mounting, 304 stainless steel, round cover to conceal the fixing of screws, includes stainless steel screws and dowels.

Surface high polished

Dimensions 75 x 54 x 70 mm (W x H x D)

Technical data

Number of hooks	2
Material	Stainless steel
Material code	1.4301 chrome nickel steel V2A
Overall depth	70mm
Overall height	54mm
Overall width	75mm
Surface finish	High polished
Tailor made	No
Type of fixing	Screw
Type of mounting	Wall mounting