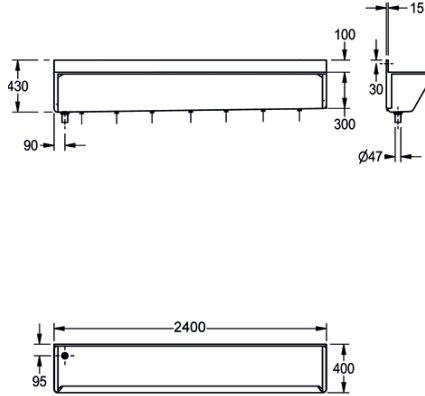


SUH Scrub up trough



G22031LN

SUH Scrub up trough

2400mm SUH surgeons scrub up trough with left hand outlet. Manufactured from 1.5mm thick grade 1.4301 (304) stainless steel, with a satin finish. The surgeon scrub up trough is supplied with a conventional waste outlet in the base of the trough and shroud to cover pipework. The top and bottom areas of the trough are fixed to the wall using the joggle strips supplied.

Please note - wall fixing screws and plugs are not supplied. Manufactured in accordance with HTM 64 / HBN 00-10, Part C Standards.

Technical data

Gross weight	35kg
Material	Stainless steel
Material code	1.4301 chrome nickel steel V2A
Material thickness	1.5mm
Net weight	33kg
Overall depth	400mm
Overall height	430mm
Overall width	2,400mm
Rear upstand	Yes
Surface finish	Satin finish
Type of mounting	Wall mounting
Waste hole position	Left side

SUH Scrub up trough

Optional accessories



Optional accessories

F1074N
Lever operated pillar taps



Optional accessories

F1075N
Lever operated mixer tap