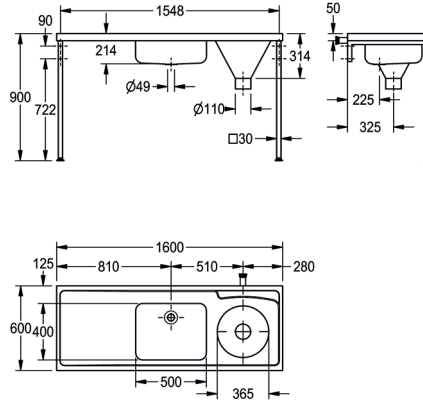


DUHS Hospital unit



G22018L

DUHS Hospital unit - left-hand drainer

DUHS hospital disposal unit left hand drainer without tap holes or overflow, for duct mounted cisterns. Manufactured from 1.2mm thick, grade 1.4301 (304) stainless steel with a satin polish finish. The top is turned down on all four edges and incorporates a wet area recess. Fitted with a 110mm diameter outlet sluice hopper at one end which can accept a P or S trap, (available as an extra). A bowl, without waste, is positioned next to the sluice hopper and is prepared for a

38 mm waste outlet. The unit should only be fed from a cistern or tank water supply, a 9 litre capacity plastic cistern is available as an extra. Mounted on either stainless steel cantilever brackets or front leg supports with adjustable feet, which give a working height of 900mm. Manufactured in accordance with HTM 64 / HBN 00-10, Part C Standards.

Technical data

Bowl - bowl depth	200mm
Bowl finish	Satin finish
Bowl depth	400mm
Bowl width	500mm
Drainer position	Left
Drainer or storage	Drainer
Gross weight	18.10kg
Material	Stainless steel
Material code	1.4301 chrome nickel steel V2A
Material thickness	1.2mm
Minimum flushing capacity	6 litre
Outlet size	DN 100
Overall depth	600mm
Overall height	300mm
Overall width	1,600mm
Overflow	No
Surface finish	Satin finish
Tap ledge	No
Type of mounting	Wall and floor mounting
Waste hole position	Centre back
Waste hole projection	225mm
Waste size	DN 32
Net weight	16.9kg

DUHS Hospital unit

Optional accessories



Optional accessories

F1074N
Lever operated pillar tap



Optional accessories

F1075N
Lever operated mixer tap