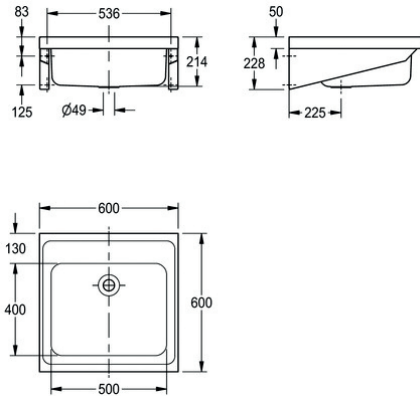


## Hospital sink



### G22002N

Hospital sink

A single bowl sink manufactured from 1.2mm thick, grade 1.4301 (304) stainless steel, satin polish finish. The sink top is turned down on all four edges and incorporates a wet area recess. The bowl is prepared for a 38mm waste outlet.

NOTE: It is not possible to fit an overflow. The sink top can either be mounted on wall brackets or front leg supports.

### Technical data

Bowl - bowl depth	200mm
Bowl finish	Satin finish
Bowl depth	500mm
Bowl width	400mm
Drainer or storage	No
Gross weight	8.5kg
Material	Stainless steel
Material code	1.4301 chrome nickel steel V2A
Material thickness	1.2mm
Overall depth	600mm
Overall height	218mm
Overall width	600mm
Surface finish	Satin finish
Tap ledge	No
Type of mounting	Wall mounting
Waste hole position	Centre back
Waste size	DN 32
Net weight	7.2kg