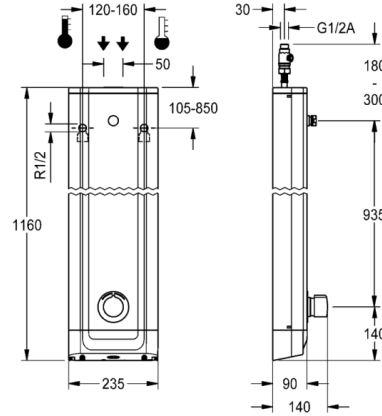


## Stainless steel shower panel



### F5SM2020

Stainless steel shower panel

F5S Mix shower panel made of stainless steel for wall mounting with DN 15 self-closing single control mixer and connecting nozzles for the shower head. FRAMIC self-closing mixing cartridge, hydraulically controlled, low maintenance and stagnation free, with ceramic disc technology, self-closing, flow pressure independent due to the medium-independent design.

Stepless adjustment of flow duration. With adjustable, turn-proof temperature stop. For connection to hot water and cold water.

### Technical data

Overall depth	90mm
Overall height	1.160mm
Overall width	235mm
Type of mounting	Wall mounting
Type of operation	Manual operation
Diameter nominal	DN 15
Inlet size	G 1/2 A
Material casing	Stainless steel
Material fitting	Brass
Type of mixing	With mixing
Sound insulation	No
Surface finish fitting	Chrome
Minimum flow pressure	1.5 bar
Volume flow rate at 3 bar	0.15 litre per second
Adjustable flow time	Yes
Functional principle	Hydraulic self-closing
Protective shutdown	No
Thermal disinfection	No
Additional connections	No
Circulation	No
Shower pipe draining	No
Type of shower	Shower panel
Position of water connection	From top / backside
Material code casing	1.4301 chrome nickel steel V2A
Surface finish casing	Satin finish
Maximum flow time	35 seconds
Minimum flow time	5 seconds

## Stainless steel shower panel

### Mandatory accessories



### Mandatory accessories

**SHAS0011**  
Slimline shower head



### Mandatory accessories

**SHAC0011**  
Comfort shower head