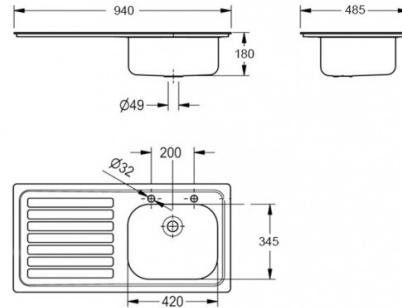


Left hand drainer inset sink



F0360P

Left hand drainer inset sink

Single bowl single drainer inset sink manufactured from 0.9mm thick, grade 1.4301 (304) stainless steel, satin polish finish, supplied with fixing clips sound deadening pad and earth tag located on the clip rail. CE Certified
Left hand drainer, 2 tap holes at 200mm centres. Supplied with 38mm flush grated waste and no overflow.

Technical data

Bowl position	Right
Bowl construction	Radius corners
Bowl height	180mm
Bowl finish	Descaled
Bowl width	345mm
Bowl depth	420mm
Drainer position	Left
Drainer or storage	Drainer
Grid	No
Gross weight	5kg
Material	Stainless steel
Material code	1.4301 chrome nickel steel V2A
Material thickness	0.9mm
Net weight	4kg
Number of waste holes	1
Overall depth	485mm
Overall height	180mm
Overall width	940mm
Overflow	No
Type of mounting	Inset mounting
Type of utility sink	Multi-purpose sink
Waste hole position	Centre back