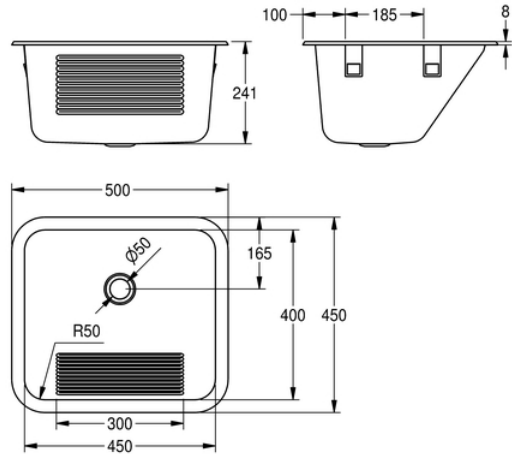


# UTILITY SINK: SIRX342

SIRX342 | 2000090083

ARTICLE GROUP : **SIRX342** | ARTICLE FAMILY : **Multi purpose sink** | PRODUCT GROUP : **Utility sinks** | MODEL RANGE : **SIRIUS**



General purpose utility sink for inset mounting, stainless steel, surface satin finished, material thickness 0.9 mm, front panel with riffle, 1 1/2" flat perforated waste, incl. washer and clamps for inset mounting.

## TECHNICAL DATA

bowl position	center
bowl construction	radius corners
bowl - bowl depth	240.00 mm
bowl finish	satin finished
bowl - depth	400.00 mm
bowl - width	450.00 mm
drainer or storage	no
grid	no
gross weight	4.24 kg
material	stainless steel
material code	1.4301 Chrome Nickel steel V2A
material thickness	1.00 mm
net weight	3.80 kg
number of waste holes	1
outlet size	G 1 1/2 B
overall depth	450.00 mm
overall height	241.00 mm
overall width	500.00 mm
overflow	no
rear upstand	no
wash riffle	yes
splash back	no
sump	no
sump basket	no

surface finish	satin finished
tap ledge	no
type of mounting	inset mounting
type of utility sink	cleaner sink
type of waste kit	perforated waste
waste hole position	centre back
waste hole projection	165.00 mm
waste kit included	yes
waste size	DN 40
brushes	without brushes
spillway	no
number of wash places	1

# UTILITY SINK: SIRX342

SIRX342 | 2000090083

ARTICLE GROUP : **SIRX342** | ARTICLE FAMILY : **Multi purpose sink** | PRODUCT GROUP : **Utility sinks** | MODEL RANGE : **SIRIUS**

---

## SIMILAR PART

---



---

## UTILITY SINK: SIRX340

---

2000090082

---